

Deutsch

Position	Bezeichnung	Anschlussstyp
A	Abluft	DN100
B	Erdgas	1/2" IG
C	Abgas	DN80
D	Rücklauf	1" AG
E	Vorlauf	1" AG
F	Anschluss Ausdehnungsgefäß, Sicherheitsventil	3/4" AG
G	Kondensat	3/4" AG
H	Schutzbügel (demontierbar)	
I	Zuluft	

English

position	designation	connection type
A	exhaust air	DN100
B	natural gas	1/2" IG
C	exhaust	DN80
D	flow return	1" AG
E	flow heating	1" AG
F	connection expansion tank, safety valve, filling valve	3/4" AG
G	condensing water	3/4" AG
H	transport protection (removable)	
I	supply air	

ATTENTION
Drawing data is for information purposes only. Information on other dimensions and bending allowances do not bind the checker from inspection.

General tolerances according to ISO 2768 (medium)

Scale: 1:10 (particularity)

Material: part number:

neo Tower 11.0/16.0/20.0

designer: 06.05.19 M. Bruns
checked: 06.05.19 J. Brake

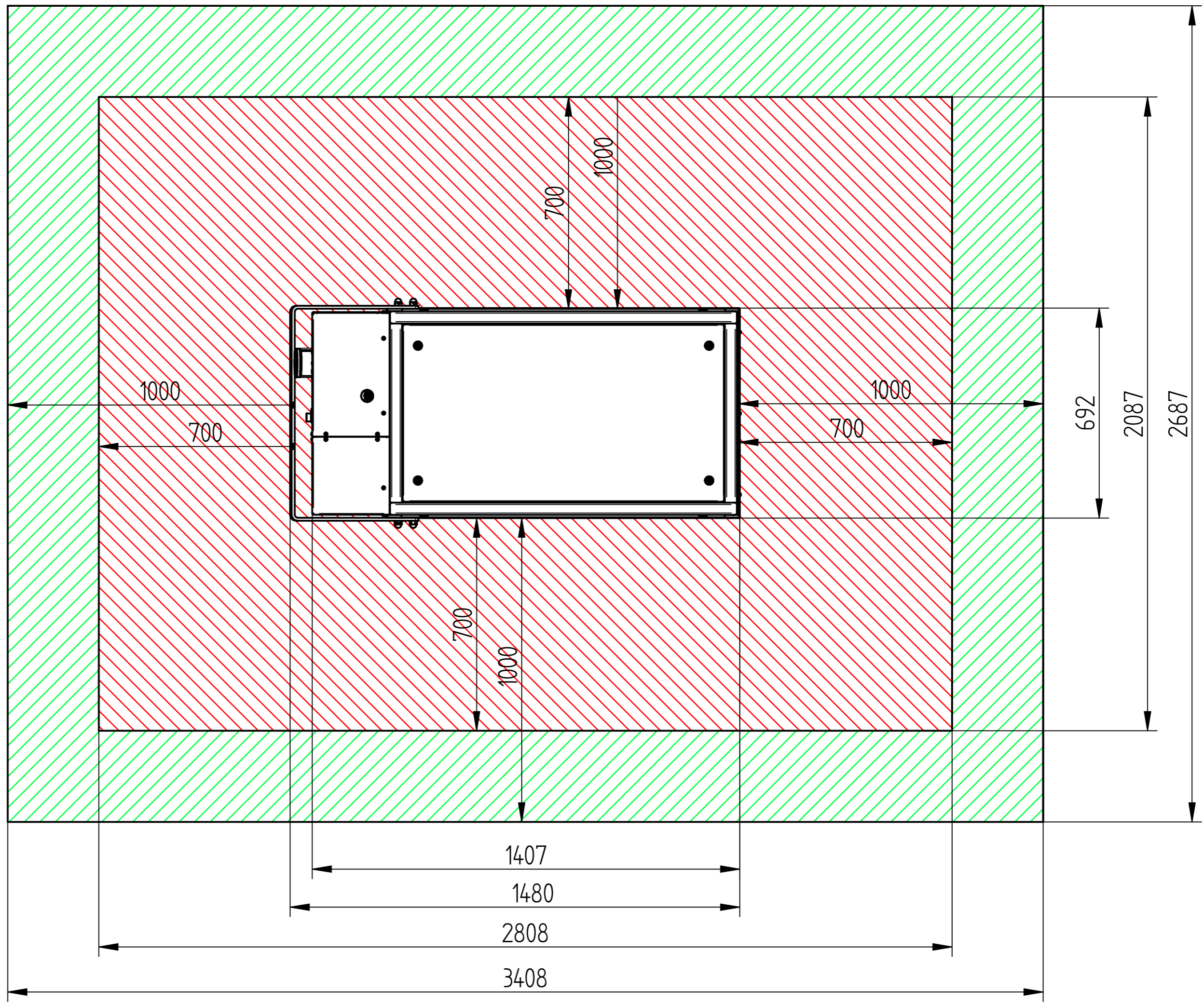
This drawing must not be copied, forwarded, reproduced or otherwise used in any other way.

drawing number: RMB_M03_BemaSung
quantity: 1 piece
sheet: 1 of 3 sheets

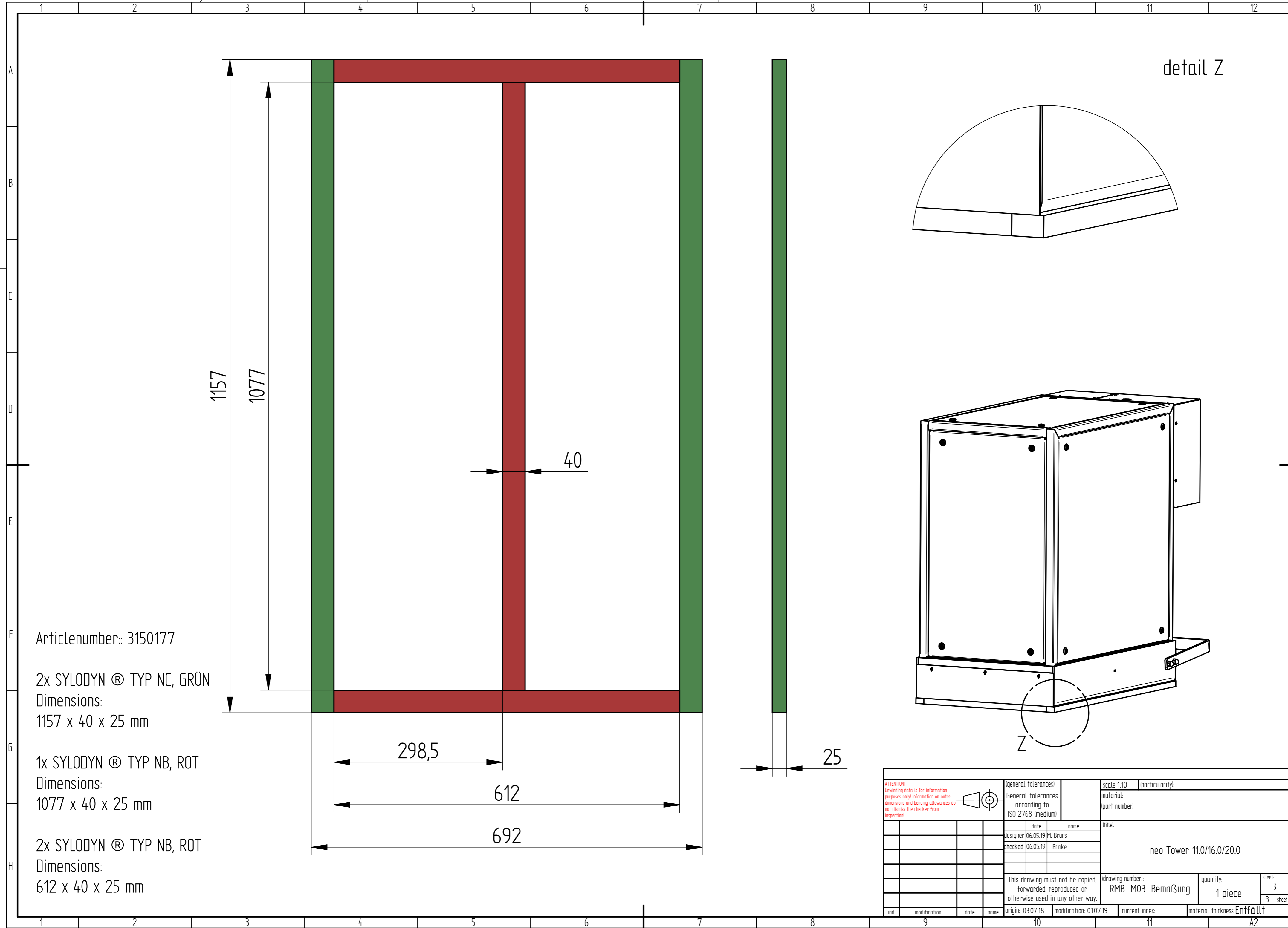
ind. modification date name
orig: 03.07.18 modification: 01.07.19 current index: material: thickness: Entfallt

Mindesanforderung freier Wartungsraum
(Minimum maintenance room)

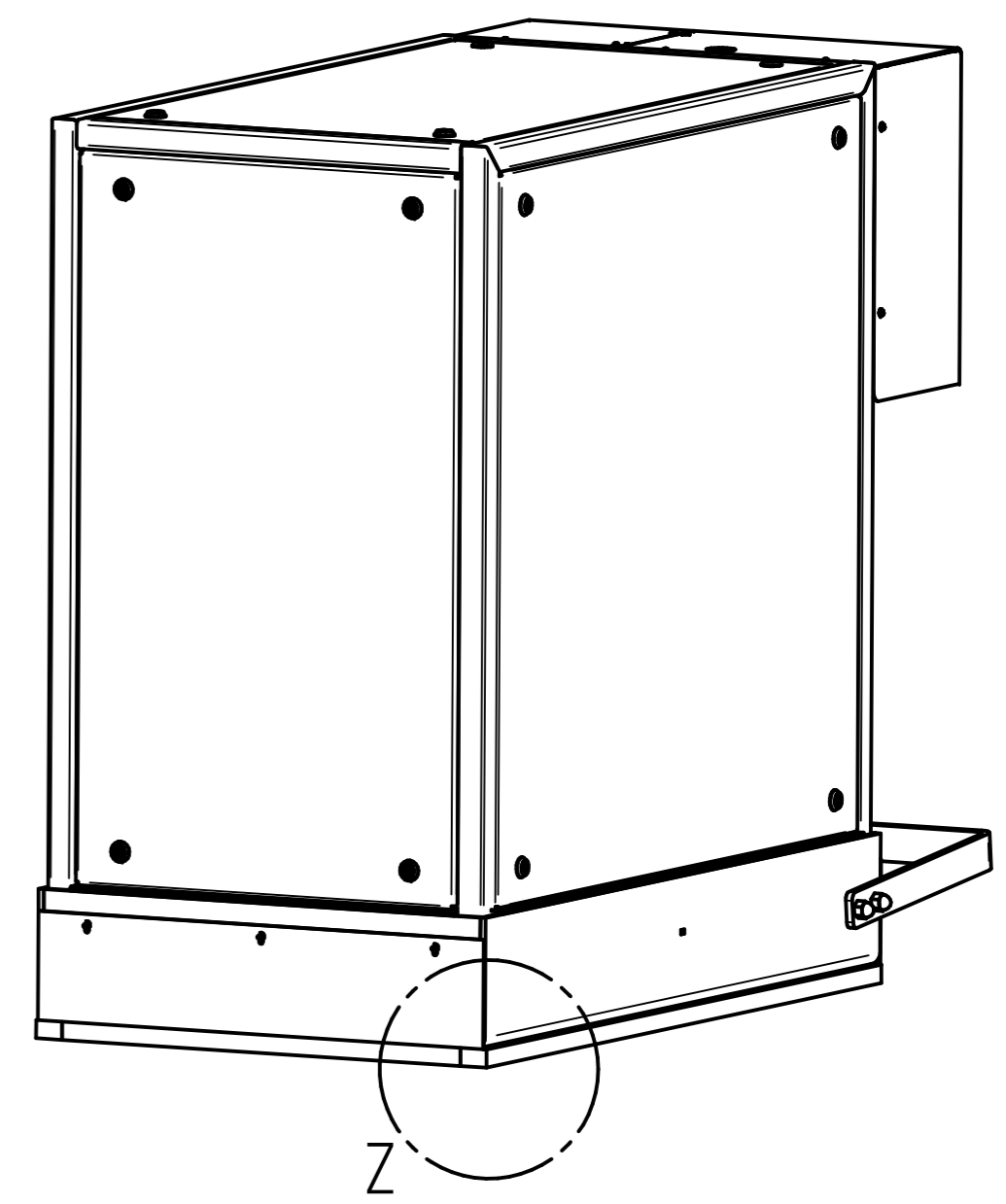
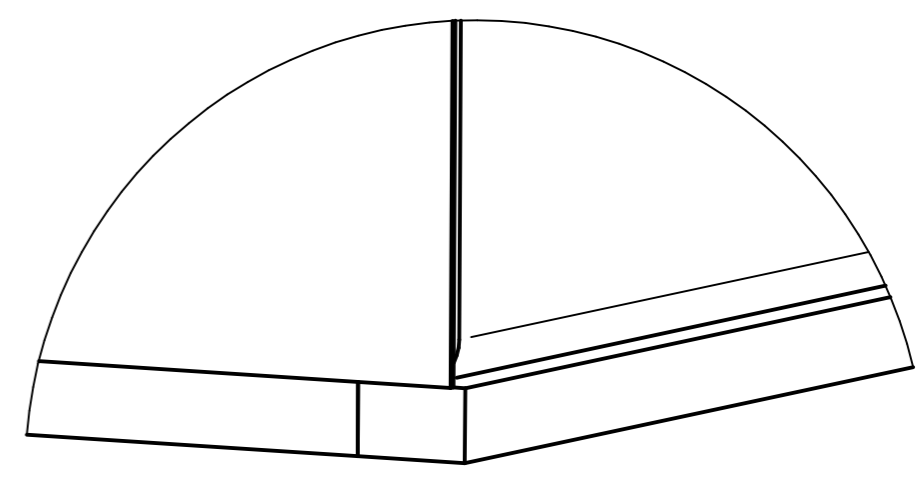
Mindesanforderung nach Klärung und
Herstellerfreigabe
(Maintenance room after
clarification and manufacturer
authorization)

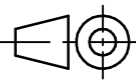


ATTENTION Unwinding data is for information purposes only! Information on outer dimensions and bending allowances do not disburse the checker from inspection!		General tolerances: according to ISO 2768 (medium)		scale: 1:12	(particularity):
				material:	
				(part number):	
		date	name	title:	
		06.05.19	M. Bruns	neo Tower 11.0/16.0/20.0	
		checked	06.05.19 J. Brake		
This drawing must not be copied, forwarded, reproduced or otherwise used in any other way.				(drawing number):	quantity:
				RMB_M03_Bemaßung	1 piece
ind.	modification	date	name	origin: 03.07.18	modification: 01.07.19
				current index:	material thickness: Entfällt
				sheet: 2	3 sheets



detail Z



ATTENTION Unwinding data is for information purposes only! Information on outer dimensions and bending allowances do not dismis the checker from inspection!		 General tolerances according to ISO 2768 (medium)	scale: 1:10	particularity:			
			material:	part number:			
		date	name	title:			
		designer	06.05.19 M. Bruns	neo Tower 11.0/16.0/20.0			
		checked	06.05.19 J. Brake				
		This drawing must not be copied, forwarded, reproduced or otherwise used in any other way.		drawing number:	quantity:		
				RMB_M03_Bemaßung	1 piece		
ind.	modification	date	name	origin: 03.07.18	modification: 01.07.19	current index:	material thickness: Entfällt