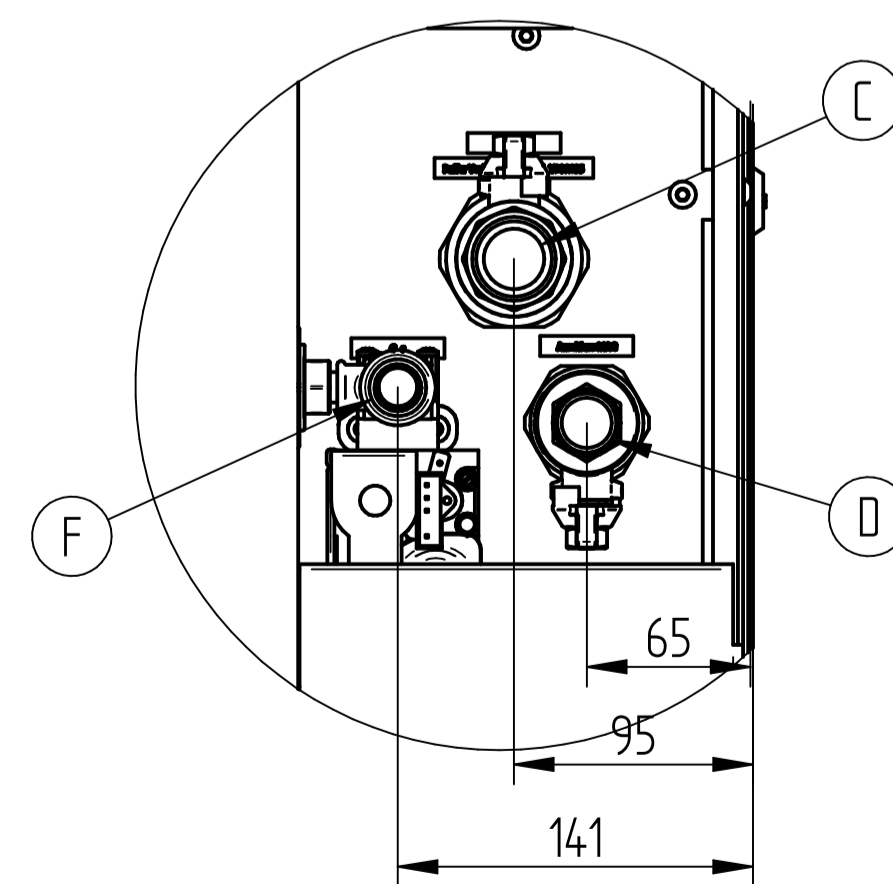


Deutsch		
Position	Bezeichnung	Anschlusstyp
A	Abgas	DN80
B	Rücklauf	1" AG
C	Vorlauf	1" AG
D	für MAG Anschlussgruppe	3/4"
E	Abluft	DN 100
F	Brennstoff	1/2" IG
G	Schutzbügel (demontierbar)	
H	Kondensat	3/4" AG
I	Zuluft	
English		
position	designation	connection typ
A	exhaust	DN80
B	flow heating	1" AG
C	flow return	1" AG
D	connection expansion tank, safety value, filling value	3/4"
E	axaust air	DN 100
F	natural gas	1/2" IG
G	transport protection (removable)	
H	condensate	3/4" AG
I	supply air	

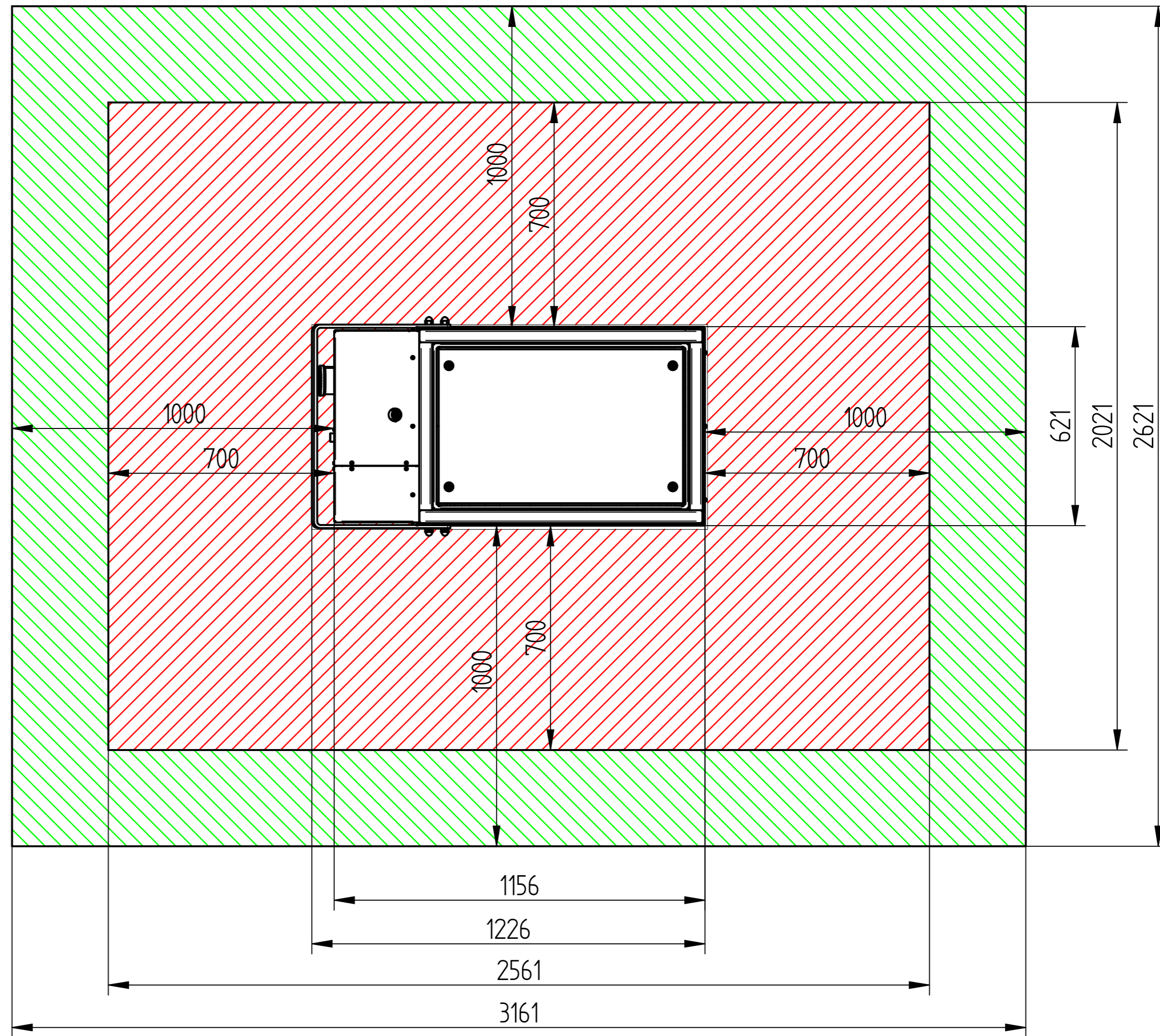
Einzelheit Z
1:3



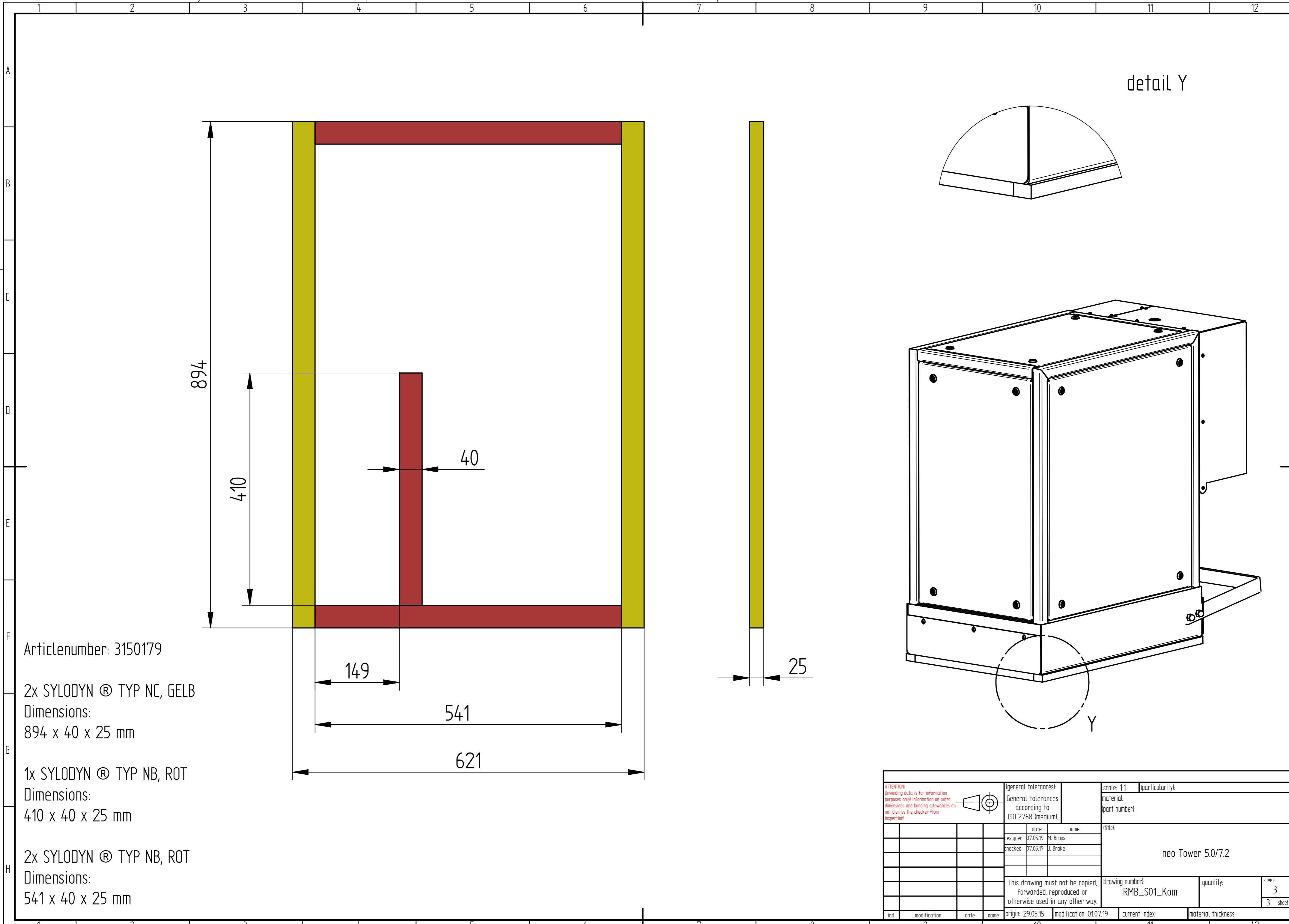
ATTENTION Drawing data is for information purpose only. Information on other dimensions and bending allowances do not belong to the checker from recipient.		General tolerances according to ISO 2768 (medium)	Scale 1:10 particularity: material: part number:
designer	date	name	title
checked	27.05.19	M. Bräse	
	27.05.19	J. Brake	
This drawing must not be copied, forwarded, reproduced or otherwise used in any other way.			drawing number: RMB_S01_Kom
ind.	modification	date	name
	01/07/19	29.05.15	modification: 0107/19
current index		material thickness	
neo Tower 5.0/7.2		quantity	sheet
		1	3

Mindestanforderung freier Wartungsraum
(Minimum maintenance room)

Wartungsraum nach Klärung und
Herstellerfreigabe
(Maintenance room after
clarification and manufacturer
authorization)



ATTENTION Unwinding data is for information purposes only! Information on outer dimensions and bending allowances do not disburse the checker from inspection!		General tolerances: according to ISO 2768 (medium)		scale: 1:12 (particularity): material: (part number):	
		date		title:	
		designer: 07.05.19 M. Bruns		neo Tower 5.0/7.2	
		checked: 07.05.19 J. Brake			
		This drawing must not be copied, forwarded, reproduced or otherwise used in any other way.		(drawing number): RMB_S01_Kom	
		ind. modification		date	
		name		origin: 29.05.15	
		date		modification: 01.07.19	
		name		current index:	
		date		material thickness:	
		name		sheet: 2	
		date		3 sheets	



detail Y

Articlenumber: 3150179

2x SYLODYN ® TYP NC, GELB
Dimensions:
894 x 40 x 25 mm

1x SYLODYN ® TYP NB, ROT
Dimensions:
410 x 40 x 25 mm

2x SYLODYN ® TYP NB, ROT
Dimensions:
541 x 40 x 25 mm

<small>ATTENTION</small> <small>Unwinding data is for information purposes only! Information on outer dimensions and bending allowances do not disburse the checker from inspection!</small>			General tolerances:	scale: 1:1	(particularity):
			according to ISO 2768 (medium)	material:	(part number):
			date	name	title:
			designer	07.05.19	M. Bruns
			checked	07.05.19	J. Brake
			neo Tower 5.0/7.2		
			This drawing must not be copied, forwarded, reproduced or otherwise used in any other way.		(drawing number):
			RMB_S01_Kom		quantity:
			sheet: 3		3 sheets
ind.	modification	date	name	origin: 29.05.15	modification: 01.07.19
			current index:	material thickness:	