

Deutsch

Position	Bezeichnung	Anschlussstyp
A	Abluft & Abluft	DN80
B	Rücklauf	1" AG
C	Vorlauf	1" AG
D	Brennstoff	1/2" IG
E	Schutzbügel (demontierbar)	
F	Kondensat	3/4" AG
G	Zuluft (optional)	DN100

English

position	designation	connection type
A	exhaust & exhaust air	DN80
B	flow return	1" AG
C	flow heating	1" AG
D	natural gas	1/2" IG
E	transport protection (removable)	
F	condensate	3/4" AG
G	supply air (optional)	DN100

location: V192.56.1110stenSalze DateienPremium XS020MB_XS02_WEB.sas

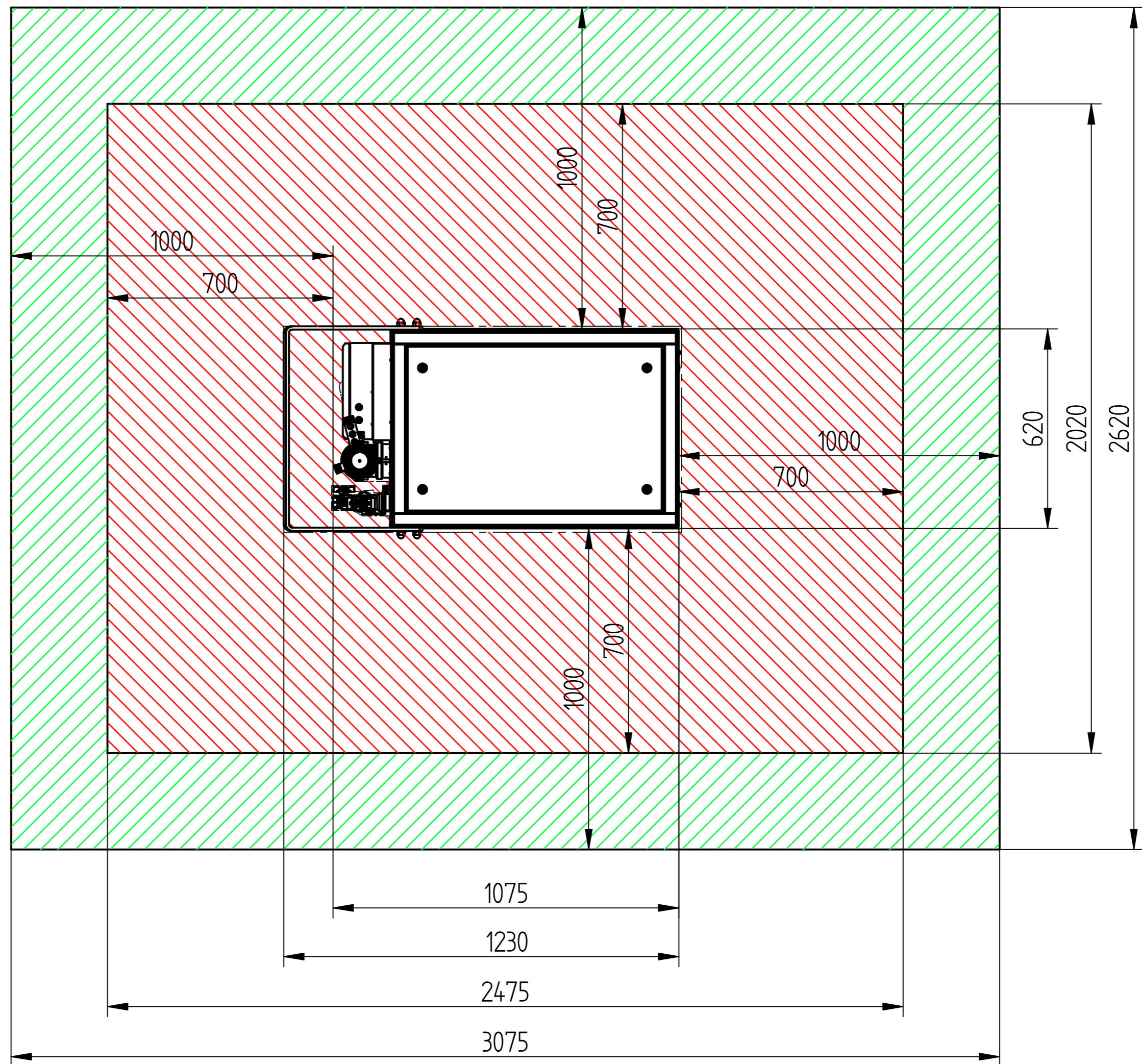
ATTENTION: Drawing data is for information purposes only. Information on other dimensions and bending allowances do not bind the checker from inspection.

General tolerances according to ISO 2768 (medium)		scale: 1:5	particularity:
designer: 08.05.19 M. Bruns	checked: 08.05.19 J. Brake	material: part number:	
This drawing must not be copied, forwarded, reproduced or otherwise used in any other way.		drawing number: RMB_XS02_WEB	quantity: 1
ind. modification	date name	orig: 08.05.19	modification: 19.07.19
current index:		material: thickness:	sheet: 3

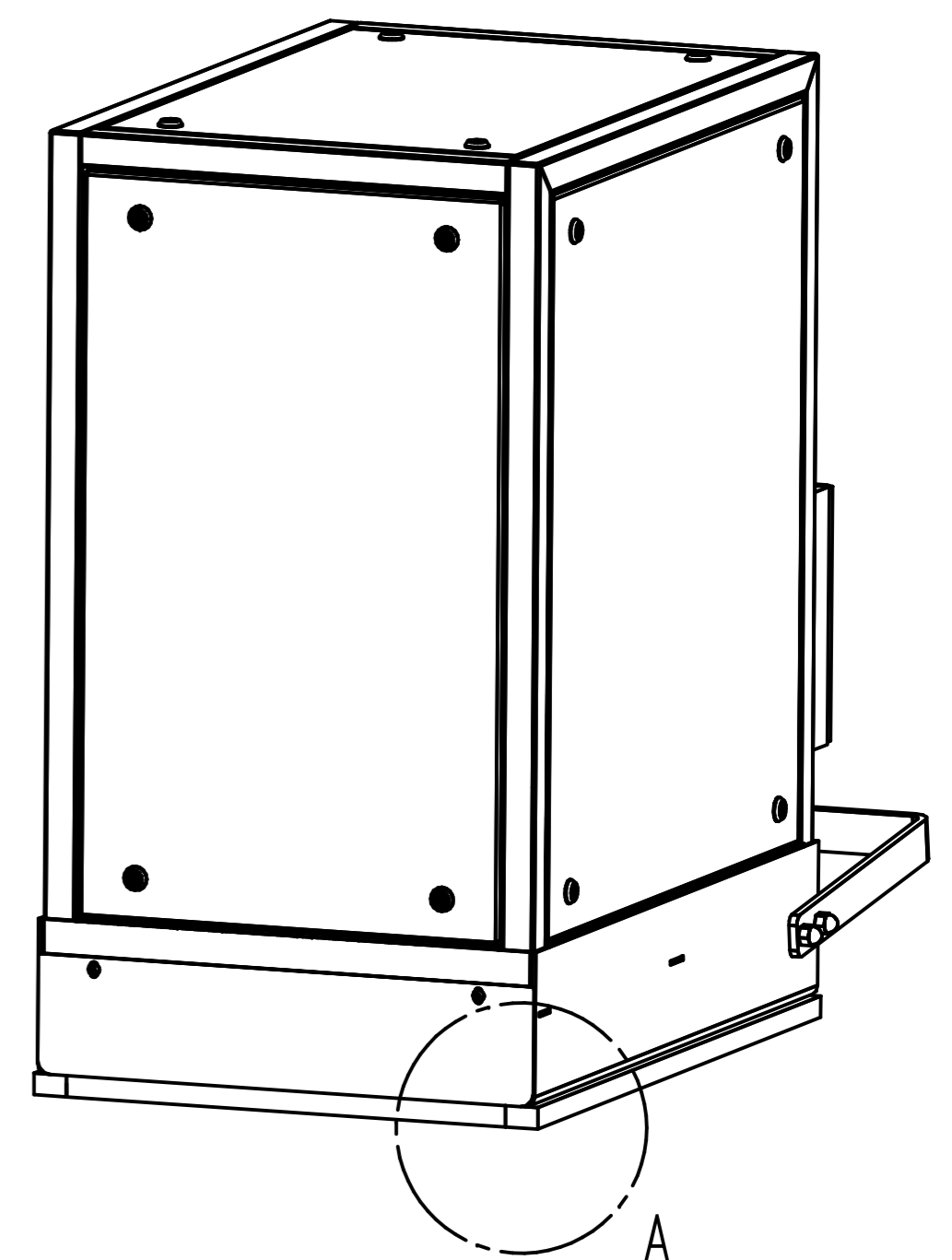
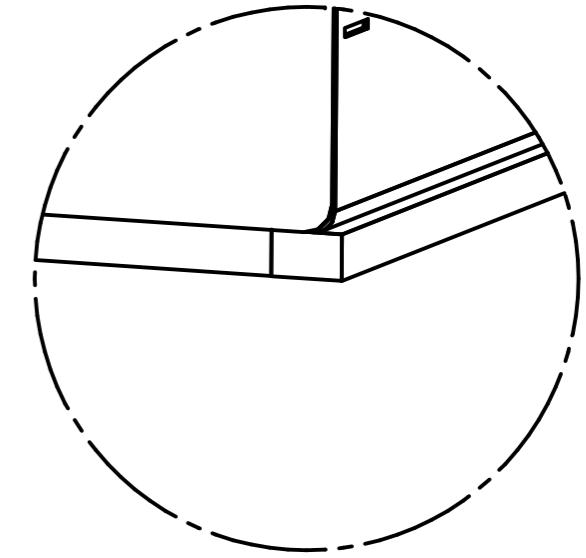
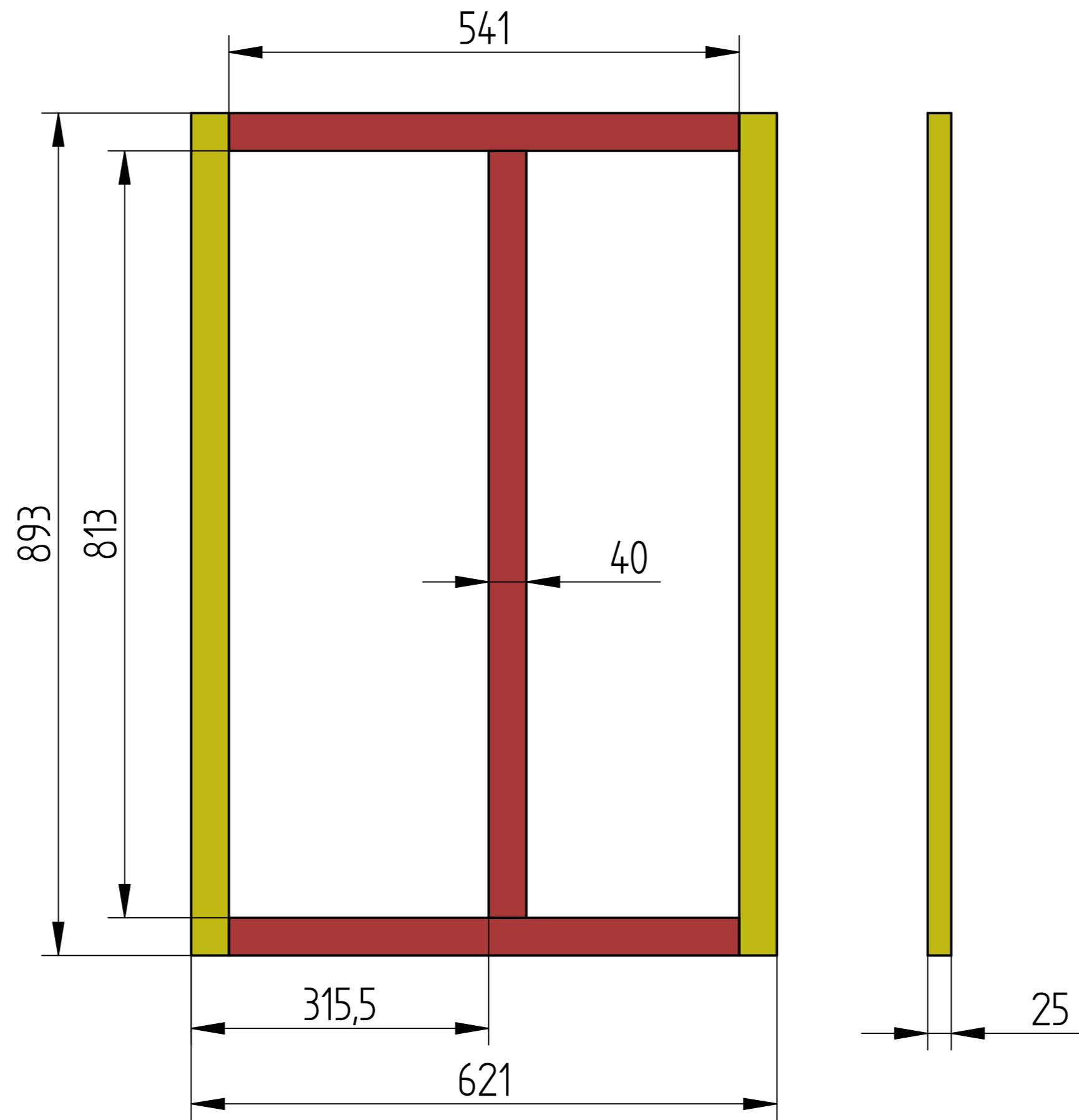
neo Tower 2.0/3.3/4.0

Mindestanforderung freier
Wartungsraum
(Minimum maintenance room)

Wartungsraum nach Klärung und
Herstellerfreigabe
(Maintenance room after
clarification and manufacturer
authorization)



ATTENTION Unwinding data is for information purposes only! Information on outer dimensions and bending allowances do not dismiss the checker from inspection!		location: W:\92.168.111\Dateien\Solid Edge Dateien\Premium XS02\RMB_XS02_WEB.dwg	
General tolerances: according to ISO 2768 (medium)		scale: 1:12	(particularity):
designer: 08.05.19 M. Bruns		material:	
checked: 08.05.19 J. Brake		(part number):	
		title: neo Tower 2.0/3.3/4.0	
This drawing must not be copied, forwarded, reproduced or otherwise used in any other way.		(drawing number): RMB_XS02_WEB	quantity: 2
ind. modification date name		origin: 08.05.19	modification: 19.07.19
		current index:	material thickness:
		sheet: 3 sheets	



Articlenumber: 3150180

2x SYLODYN® TYP NC, GELB
 Dimensions:
 893 x 40 x 25 mm

1x SYLODYN® TYP NB, ROT
 Dimensions:
 813 x 40 x 25 mm

2x SYLODYN® TYP NB, ROT
 Dimensions:
 541 x 40 x 25 mm

ATTENTION Unwinding data is for information purposes only! Information on outer dimensions and bending allowances do not dismiss the checker from inspection!				location: W:\92.168.111\Dateien\Solid Edge Dateien\Premium XS02\RMB_XS02_WEB.asm	
General tolerances: according to ISO 2768 (medium)		scale: 1:5		particularity:	
designer: 08.05.19 M. Bruns		checked: 08.05.19 J. Brake		material: part number:	
date: 08.05.19		name: M. Bruns		title: neo Tower 2.0/3.3/4.0	
date: 08.05.19		name: J. Brake		drawing number: RMB_XS02_WEB	
This drawing must not be copied, forwarded, reproduced or otherwise used in any other way.		origin: 08.05.19		modification: 19.07.19	
current index:		material thickness:		quantity: 3 sheets	
ind.	modification	date	name	origin: 08.05.19	modification: 19.07.19
				current index:	
				material thickness:	