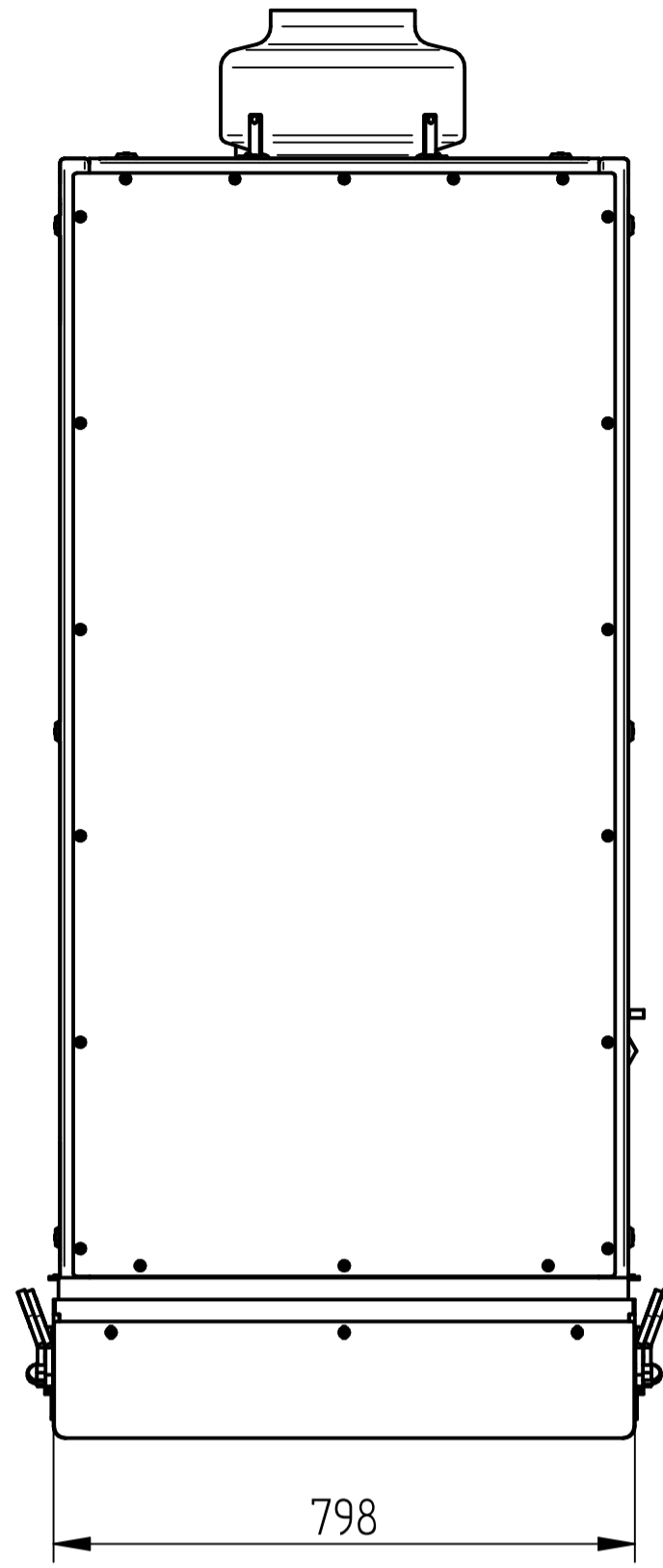
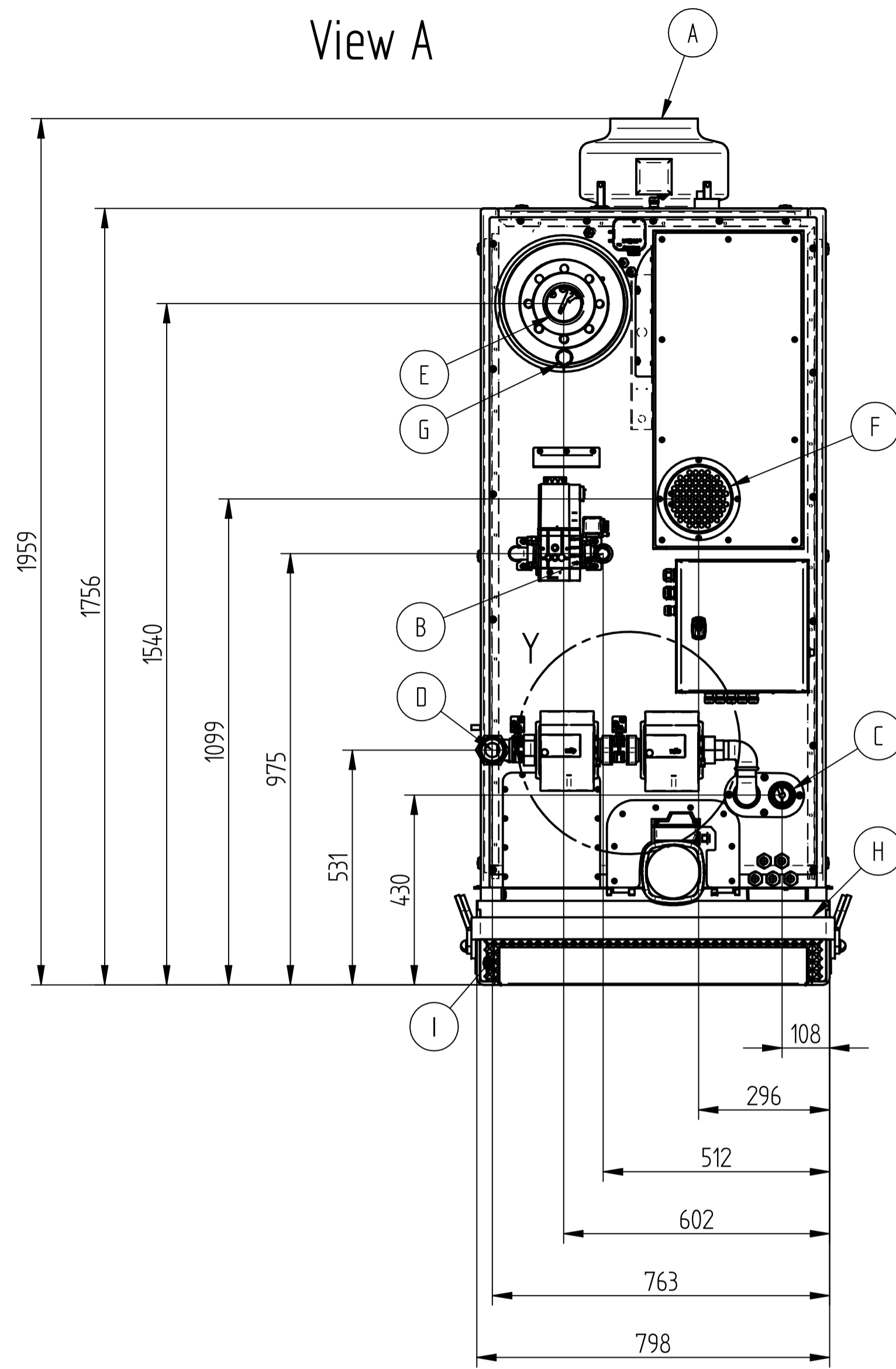
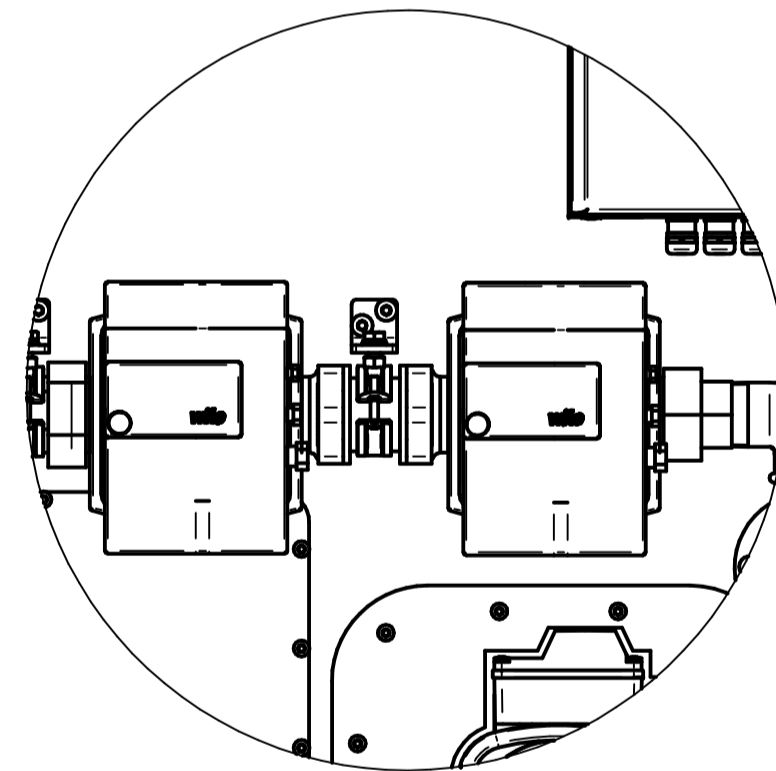
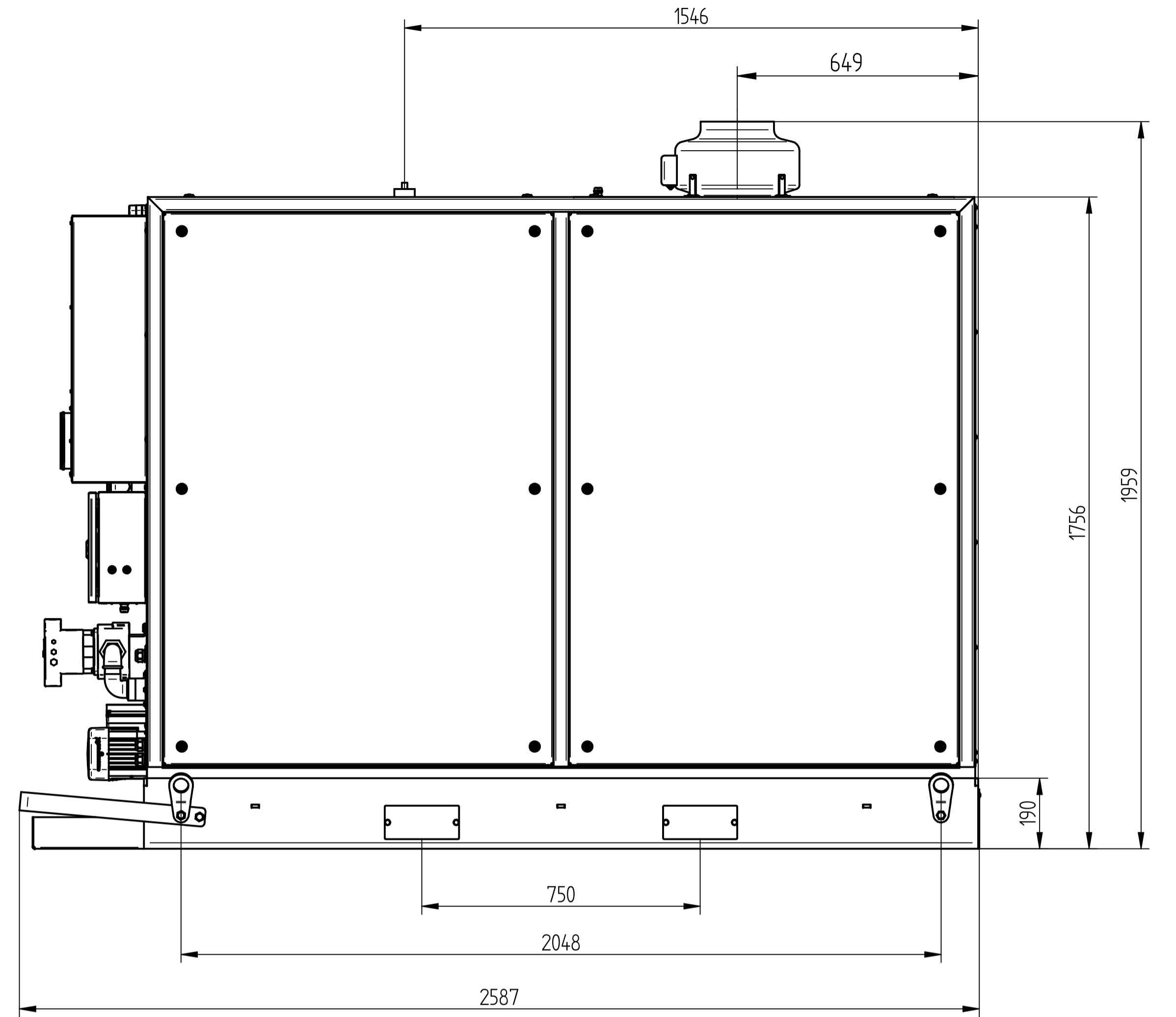


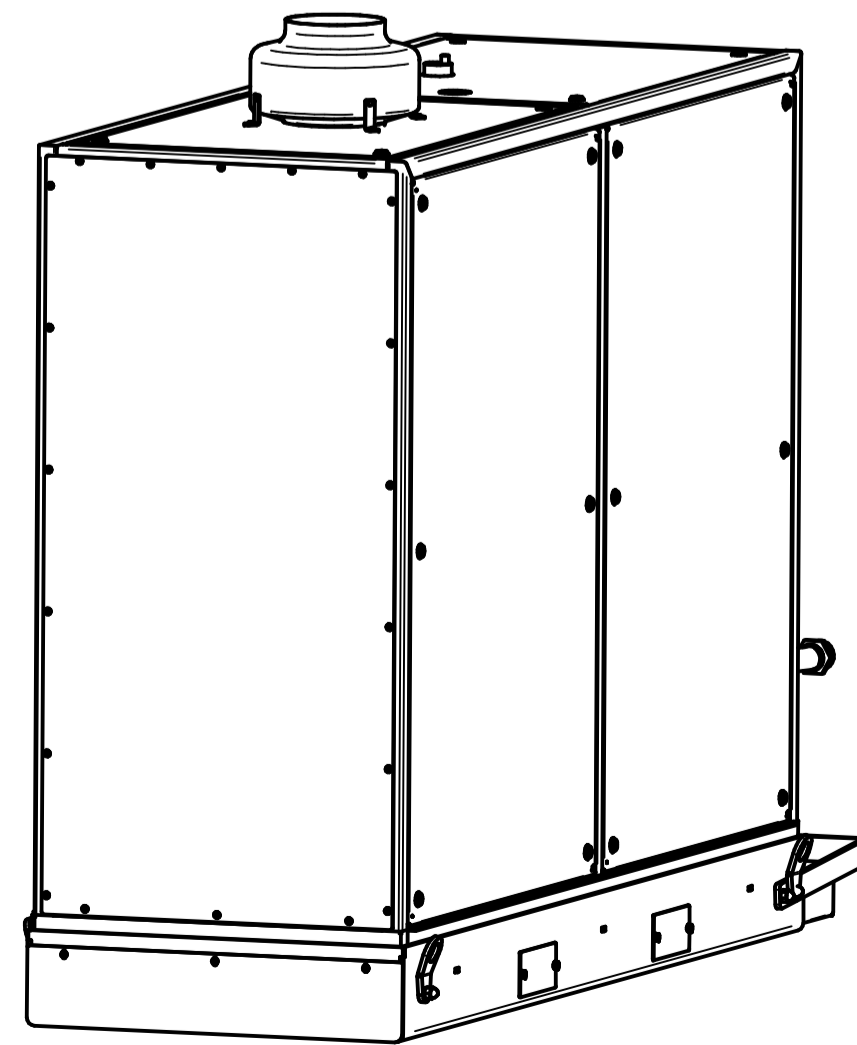
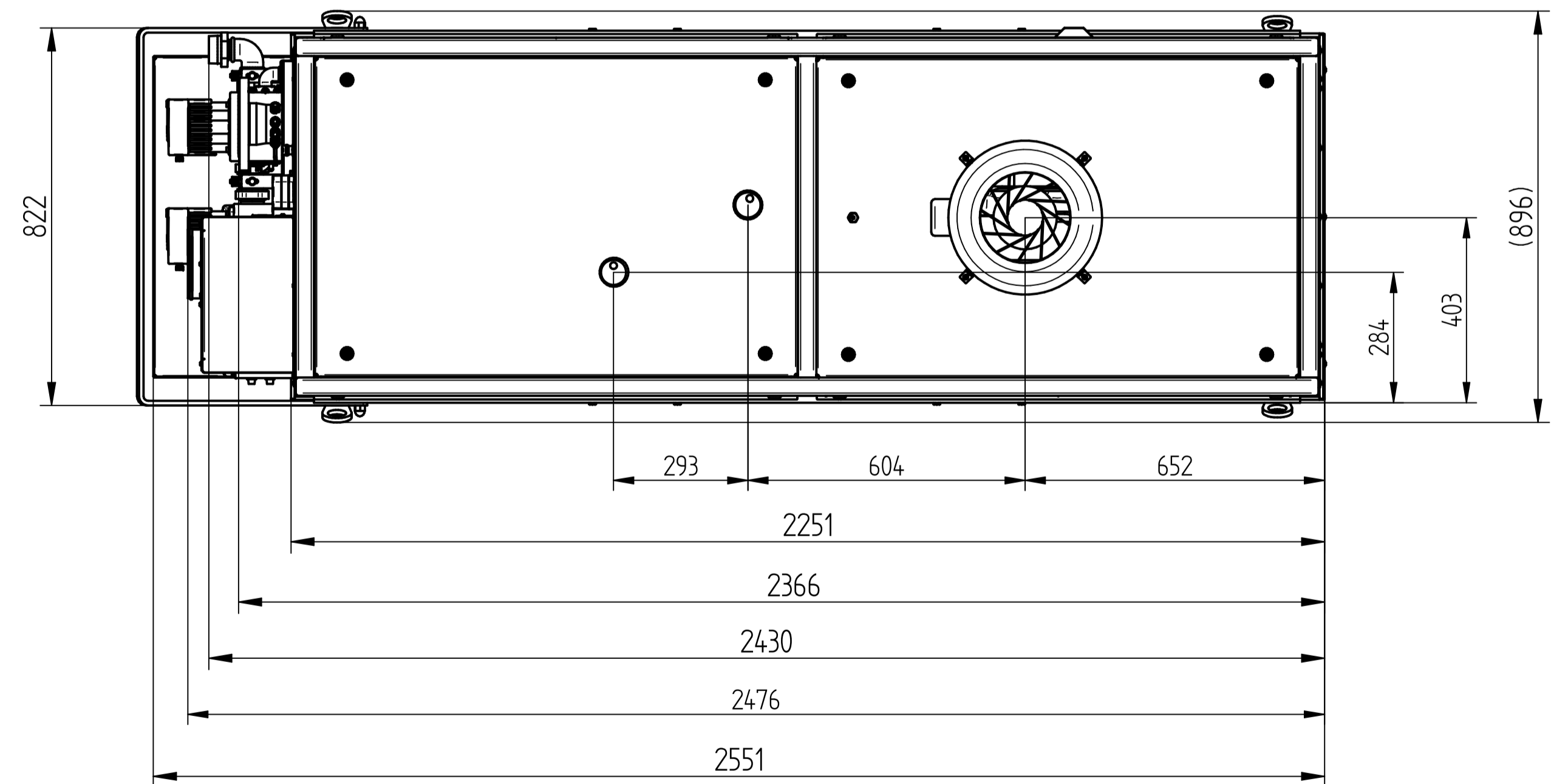
View A



A →



Detail Y
1:5



1:15

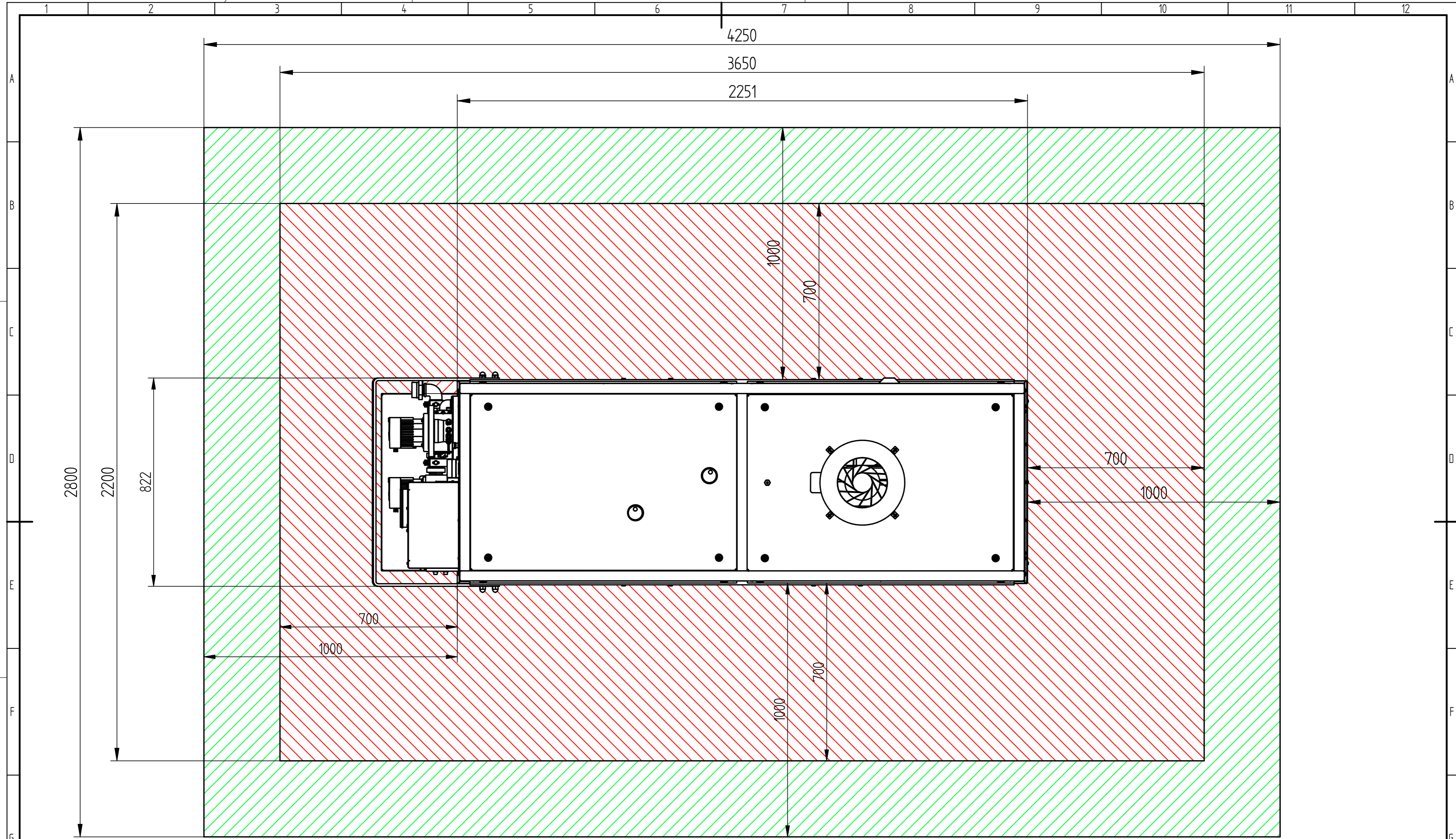
Deutsch

Position	Bezeichnung	Anschlussstyp
A	Abluft	DN200
B	Brennstoff	1" IG
C	Sekundär Vorlauf	2" AG
D	Sekundär Rücklauf	2" AG
E	Abgas	DN80-PN10
F	Verbrennungsluft (optional)	DN150
G	Kondensat	3/4" AG
H	Schutzbügel (demonierbar)	
I	Zuluft	

English

position	designation	connection type
A	venting air	DN200
B	natural gas	1" IG
C	hot water outlet	2" AG
D	cold water inlet	2" AG
E	exhaust	DN80-PN10
F	combustion air (optional)	DN150
G	conection expansion tank, filling valve	3/4" AG
H	transport protection (removable)	
I	supply air	

location: W1921681110bsteinSolid Edge (Dateien\Premium LO3\MB_L03_000_001-Zusammenbau_BemoSung.ssm)			
ATTENTION: Drawing data is for information purpose only. Information on other dimensions and bending allowances do not bypass the checker from recipient.	General tolerances: according to ISO 2768 (medium)		scale: 1:10 particularity:
	designer: 06.05.19 M. Bruns checked: 06.05.19 I. Brake		material: part number: neo Tower 50.0 IS/HT
This drawing must not be copied, forwarded, reproduced or otherwise used in any other way.		drawing number: RMB_L03_000_001	quantity: sheet 1 3 sheets
ind.	modification	date	name
		01/11/17	modification: 02.07.19
			current index: d
			material: thickness



Die Raumhöhe ab Aufstellfläche beträgt min. 2400mm.
 Bei Unterschreitung ist eine Rücksprache mit dem
 Hersteller zwingend erforderlich!
 (The room height from the installation surface is at least
 2400mm. Below the limit is a consultation with
 the manufacturer mandatory necessary)

Mindestanforderung freier Wartungsraum
 (Minimum maintenance room)

Wartungsraum nach Klärung und Herstellerfreigabe
 (Maintenance room after clarification and
 manufacturer authorization)

Location: \\192.168.1.11\Datens\Edge Dateien\Premium LO3\RMB_LO3_000_001-Zusammenbau_Bemaßung.dwg		General tolerances: scale: 1:10		particularity:	
ATTENTION: Unwinding data is for information purposes only! Information on outer dimensions and bending allowances do not disburse the checker from inspection!		General tolerances according to ISO 2768 (medium)		material: part number:	
designer	date	name	title:		
checked	06.05.19	M. Bruns	neo Tower 50.0 (S/HT)		
	06.05.19	J. Brake			
This drawing must not be copied, forwarded, reproduced or otherwise used in any other way.			drawing number:	quantity:	sheet: 2
			RMB_LO3_000_001		3 sheets
ind.	modification	date	name	origin: 13.11.17	modification: 02.07.19
			current index: d	material thickness:	

