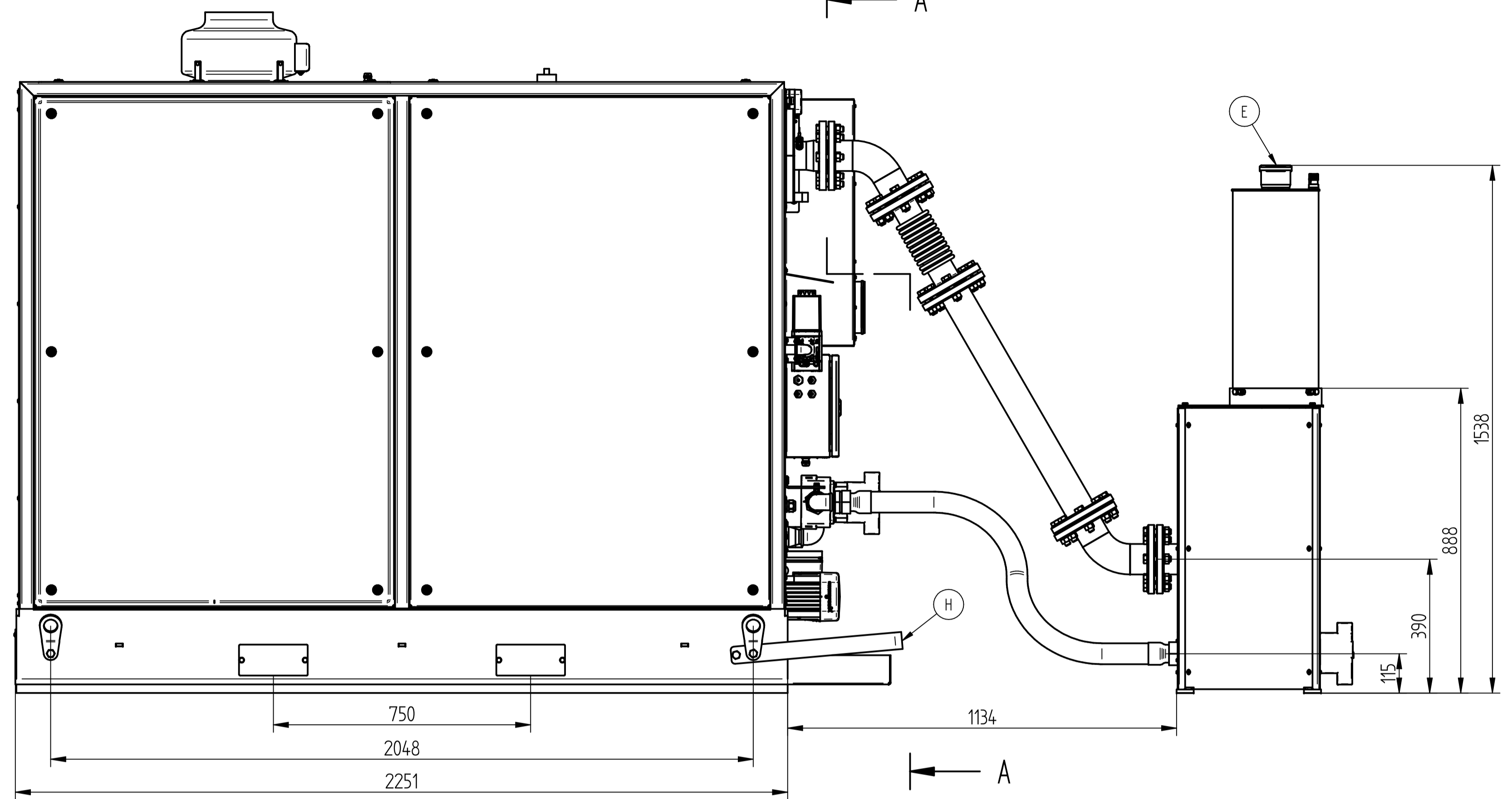
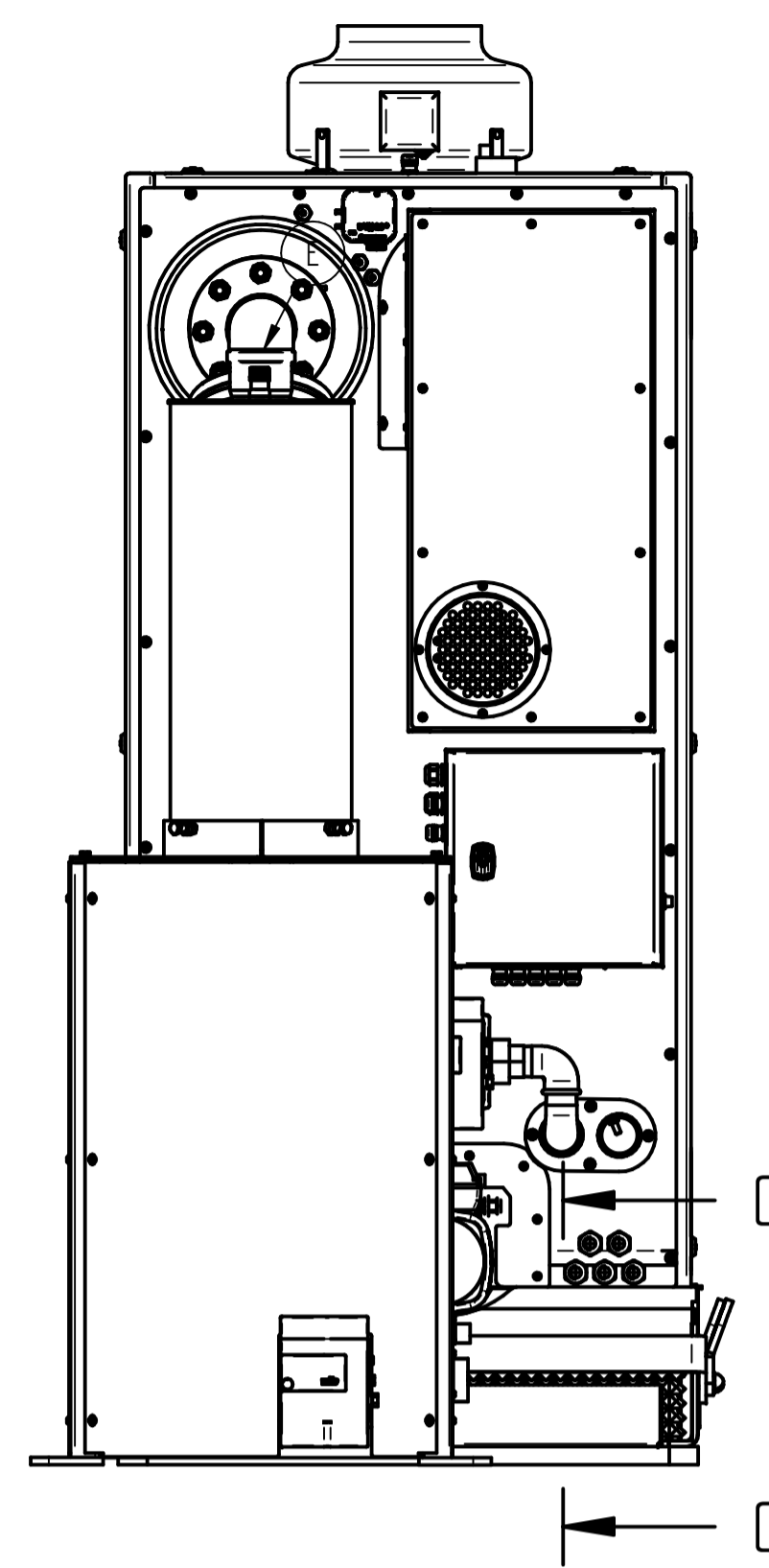
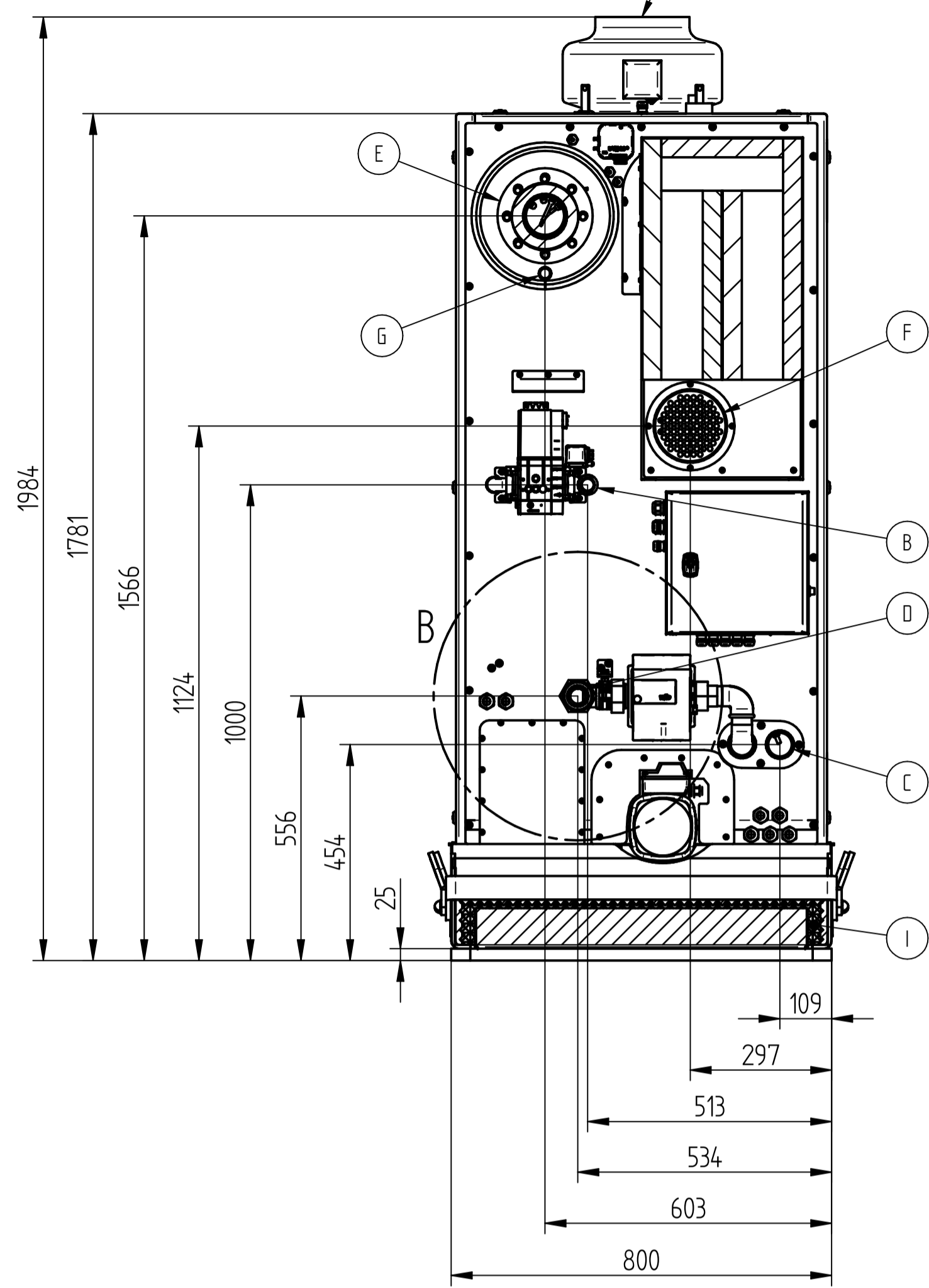
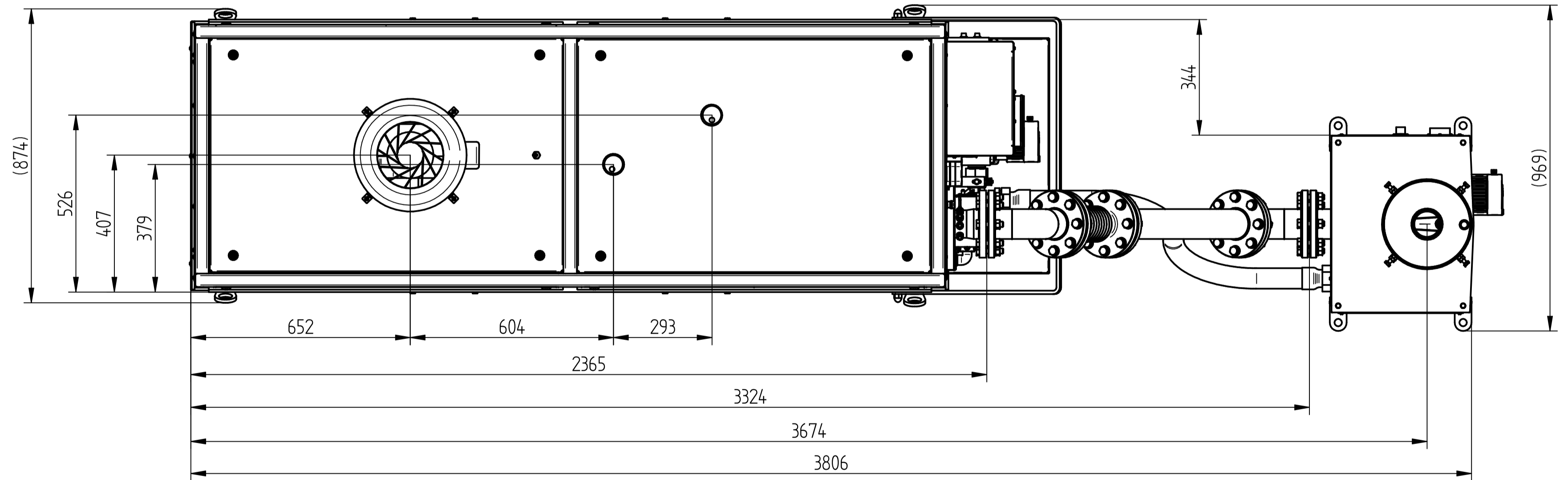
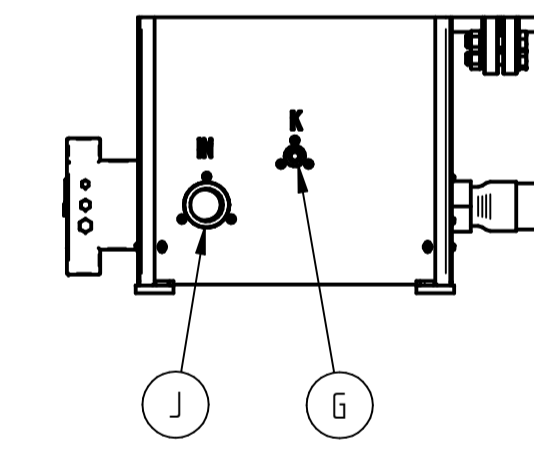


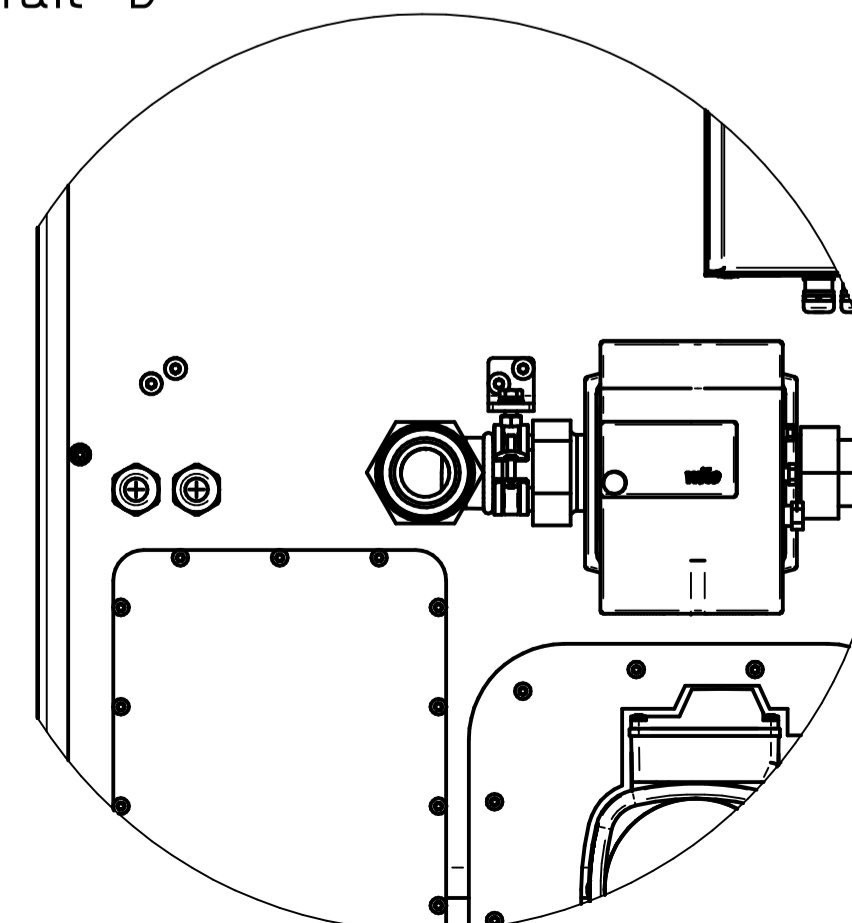
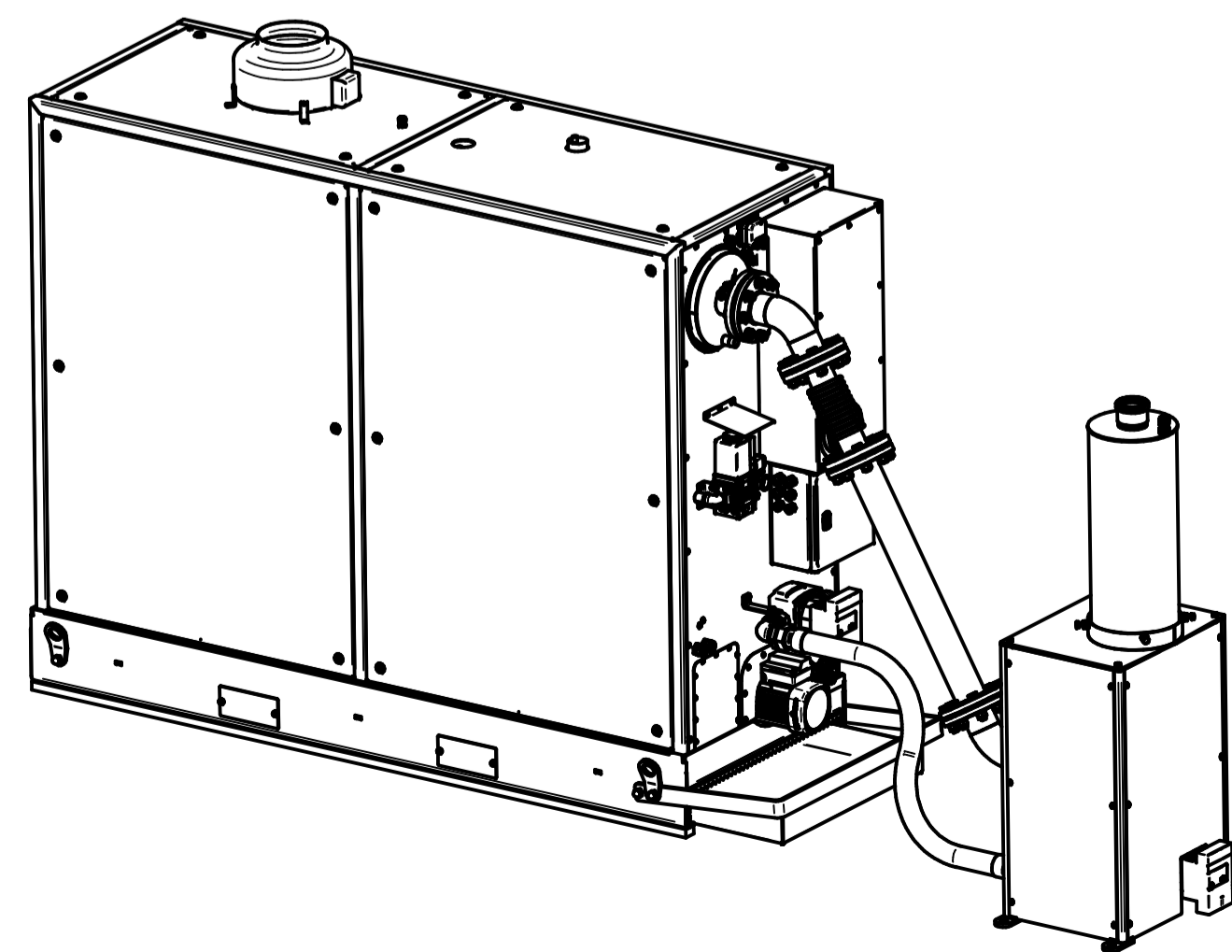
cut A-A



cut C-C



detail B



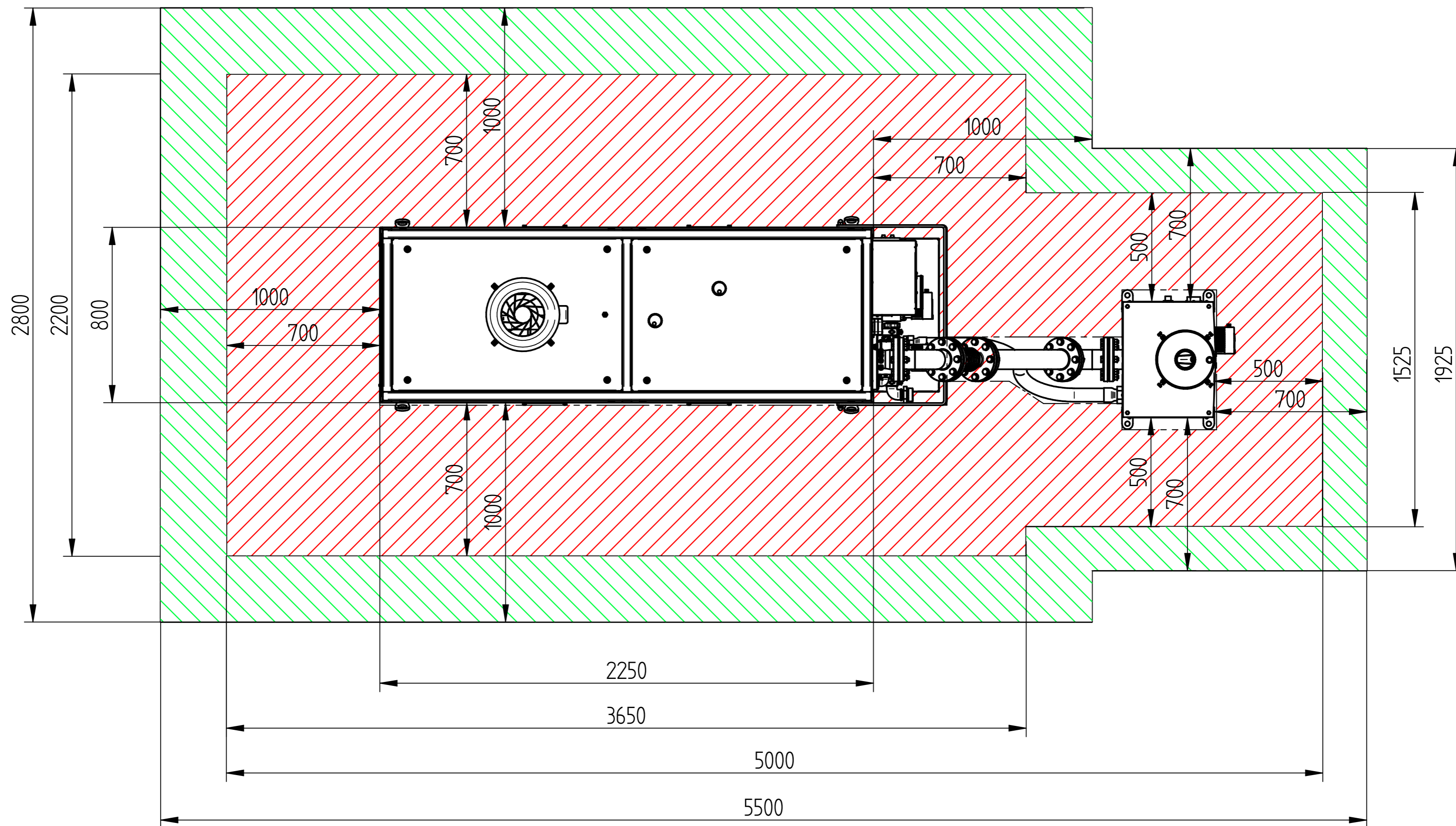
Deutsch		
Position	Bezeichnung	Anschlussstyp
A	Abluft	DN200
B	Brennstoff	1" IG
C	Sekundär Vorlauf	2" AG
D	Sekundär Rücklauf	2" AG
E	Abgas	DN80-PN10
F	Verbrennungsluft (optional)	DN150
G	Kondensat	3/4" AG
H	Schutzbügel (demontierbar)	
I	Zuluft	
J	Rücklauf Pufferspeicher	2" AG

English		
position	designation	connection typ
A	venting air	DN200
B	natural gas	1" IG
C	hot water outlet	2" AG
D	cold water inlet	2" AG
E	exhaust	DN80-PN10
F	combustion air (optional)	DN150
G	conection expansion tank, filling valve	3/4" AG
H	transport protection (removable)	
I	supply air	
J	inlet buffer Tank1	2" AG

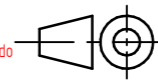
<p>ATTENTION Drawing data is for information purpose only. Information on other dimensions and bending allowances do not belong the checker from recipient.</p>		<p>General tolerances according to ISO 2768 (medium)</p>	<p>Scale 1:10 (particularity) material: part number:</p>
<p>designer: 06.05.19 M. Bruns checked: 06.05.19 J. Brake</p>	<p>date: name: title:</p>	<p>neo Tower 50.0 (BW)</p>	
<p>This drawing must not be copied, forwarded, reproduced or otherwise used in any other way.</p>		<p>drawing number: RMB_103_000_000-BW_Modul</p>	<p>quantity: piece</p>
<p>ind. modification date name</p>	<p>orig: 28.03.19 modification: 02.07.19</p>	<p>current index:</p>	<p>sheet: 1 3 sheets</p>

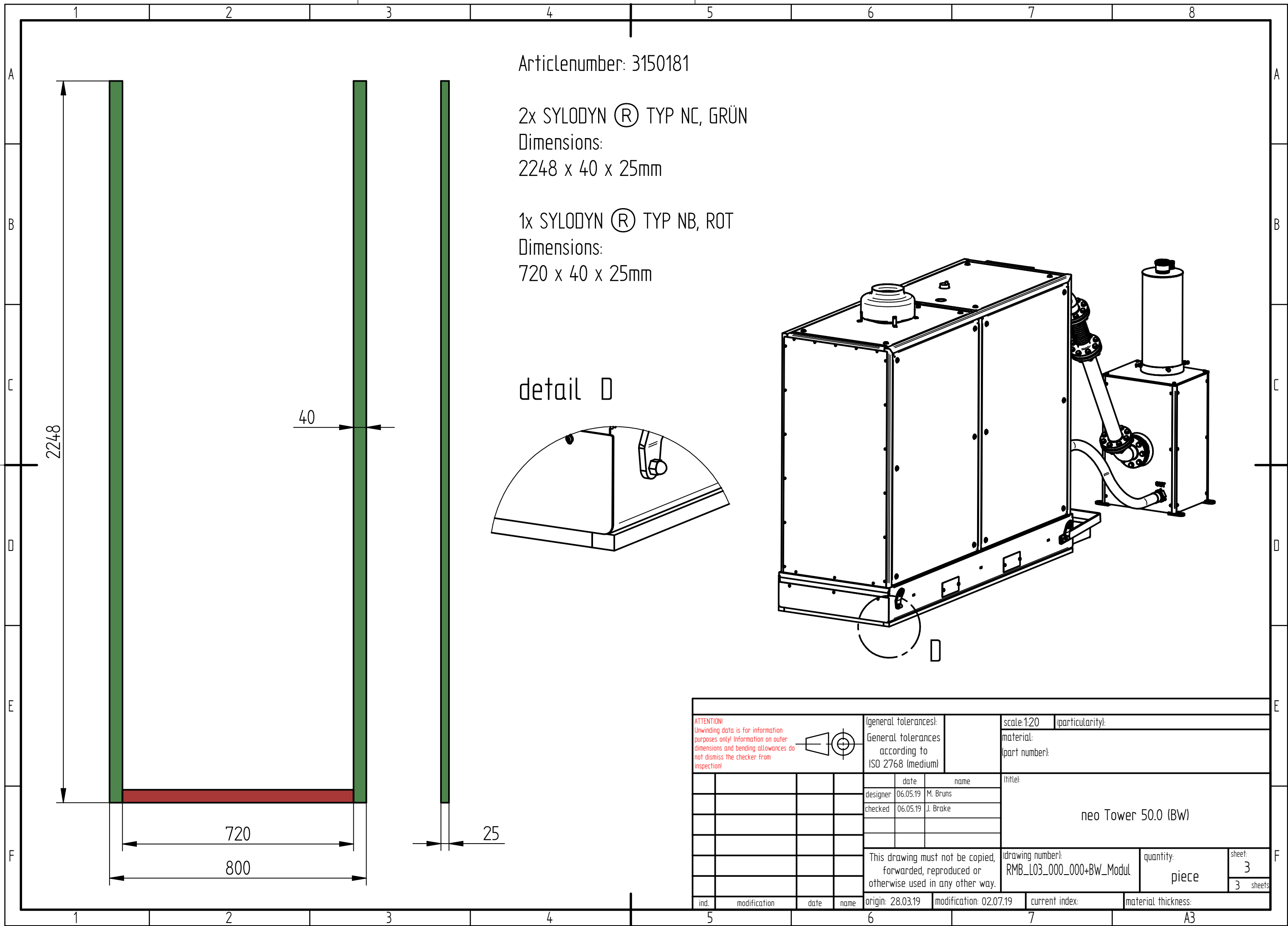
 Mindestanforderung freier Wartungsraum
 (Minimum maintenance room)

 Wartungsraum nach Klärung und Herstellerfreigabe
 (Maintenance room after clarification and manufacturer authorization)



Die Raumhöhe ab Aufstellfläche beträgt min. 2400mm.
 Bei Unterschreitung ist eine Rücksprache mit dem
 Hersteller zwingend erforderlich!
 (The room height from the installation surface is at least
 2400mm. Below the limit is a consultation with the
 manufacturer mandatory necessary)

<small>ATTENTION</small> <small>Unwinding data is for information purposes only! Information on outer dimensions and bending allowances do not dismiss the checker from inspection!</small>				General tolerances: General tolerances according to ISO 2768 (medium)	scale: 1:15 (particularity): material: part number:
designer:	date:	name:	title:		
checked:	06.05.19	M. Bruns	neo Tower 50.0 (BW)		
	06.05.19	J. Brake			
This drawing must not be copied, forwarded, reproduced or otherwise used in any other way.				drawing number: RMB_L03_000_000+Bw_Modul	quantity: piece
ind.	modification	date	name	origin: 28.03.19	modification: 02.07.19
				current index:	material thickness:
				sheet: 2 3 sheets	



Articlenumber: 3150181

2x SYLODYN ® TYP NC, GRÜN

Dimensions:
2248 x 40 x 25mm

1x SYLODYN ® TYP NB, ROT

Dimensions:
720 x 40 x 25mm

detail D

<p>ATTENTION! Unwinding data is for information purposes only! Information on outer dimensions and bending allowances do not dismiss the checker from inspection!</p>				<p>(general tolerances):</p>		<p>scale: 1:20 (particularity):</p>	
				<p>General tolerances according to ISO 2768 (medium)</p>		<p>material: (part number):</p>	
				<p>(title):</p>		<p>neo Tower 50.0 (BW)</p>	
				<p>(drawing number): RMB_L03_000_000+BW_Modul</p>			
				<p>This drawing must not be copied, forwarded, reproduced or otherwise used in any other way.</p>		<p>sheet: 3 3 sheets</p>	
ind.	modification	date	name	origin: 28.03.19	modification: 02.07.19	current index:	material thickness: