

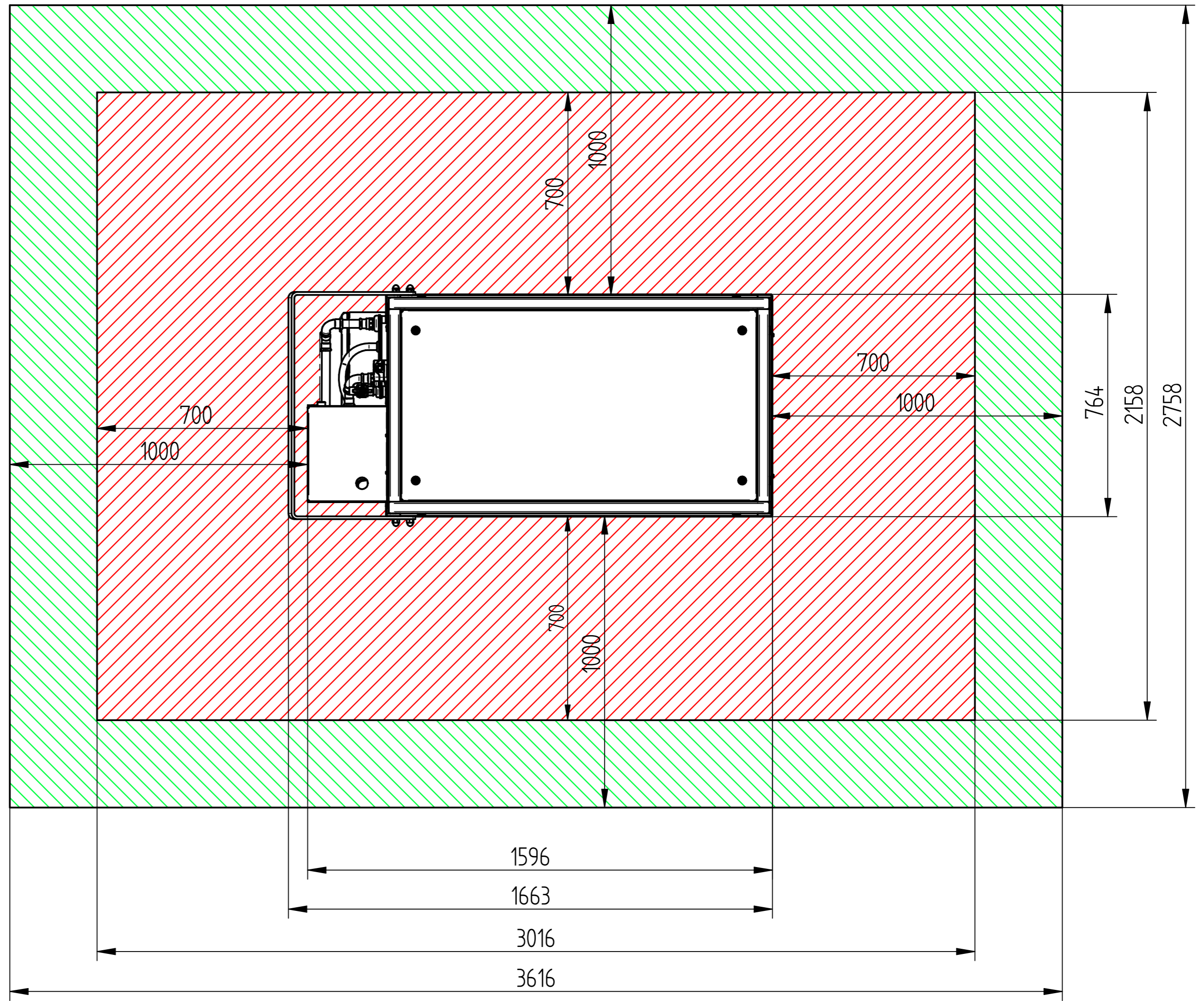
Deutsch		
Position	Bezeichnung	Anschlussyp
A	Rücklauf	1" AG
B	Abgas	DN80
C	Vorlauf	1" AG
D	Abluft	DN160
E	Anschluss Ausdehnungsgefäß, Sicherheitsventil	3/4" AG
F	Kondensat	3/4" AG
G	Erdgas	1/2" IG
H	Schutzbügel (demontierbar)	
I	Zuluft	

English		
position	designation	connection type
A	flow return	1" AG
B	exhaust	DN80
C	flow heating	1" AG
D	axhaust air	DN160
E	connection expansion tank, safety valve, filling valve	3/4" AG
F	condensing water	3/4" AG
G	natural gas	1/2" IG
H	transport protection (removeable)	
I	supply air	

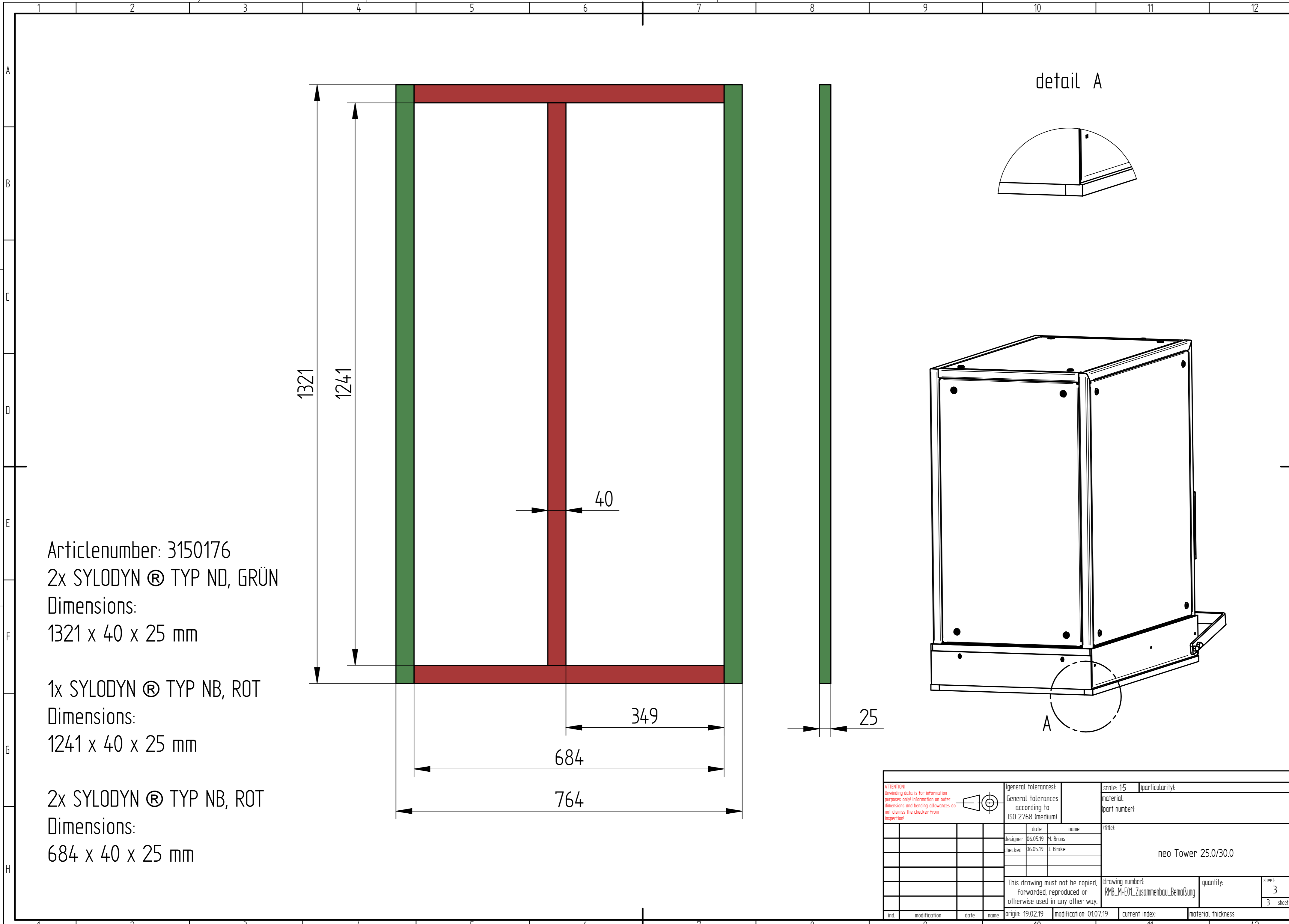
ATTENTION Drawing data is for information purpose only. Information on other dimensions and bending allowances do not belong the checker from recipient.		General tolerances according to ISO 2768 (medium)	Scale 1:10 particularity: part number:
designer	date	name	title
checked	16.05.19	M. Brune	
	16.05.19	J. Brake	
This drawing must not be copied, forwarded, reproduced or otherwise used in any other way.			drawing number: RMB_M-401_Zusammenbau_Bemolung
ind.	modification	date	name
		19.02.19	
		modification	0107.19
		current index	
		material	thickness
			A1

Mindesanforderung freier
Wartungsraum
(Minimum maintenance room)

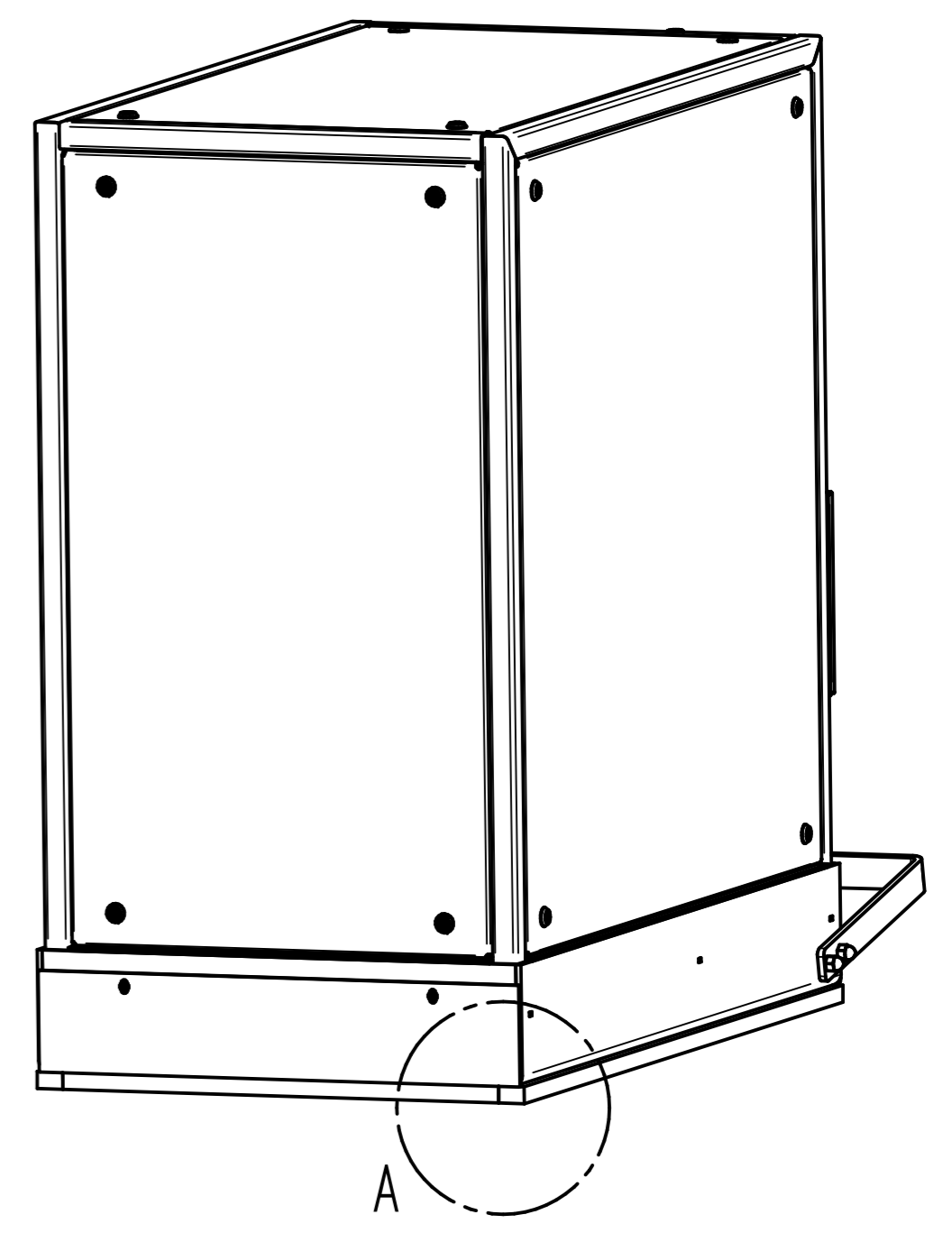
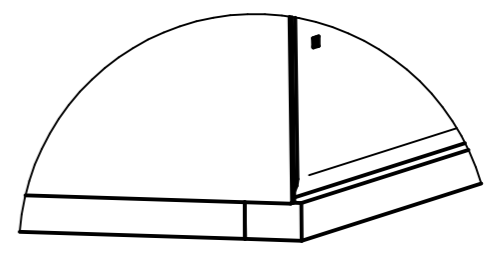
Wartungsraum nach
Klärung & Herstellerfreigabe
(Maintenance room after
clarification and manufacturer
authorization)



<p>ATTENTION Unwinding data is for information purposes only! Information on outer dimensions and bending allowances do not dismiss the checker from inspection!</p>		<p>General tolerances: according to ISO 2768 (medium)</p>		<p>scale: 1:12 (particularity): material: (part number):</p>	
		<p>date name designer: 06.05.19 M. Bruns checked: 06.05.19 J. Brake</p>		<p>title: neo Tower 25.0/30.0</p>	
<p>This drawing must not be copied, forwarded, reproduced or otherwise used in any other way.</p>				<p>(drawing number): RMB_M+E01_Zusammenbau_BemaSung</p>	
<p>ind. modification date name</p>		<p>origin: 19.02.19 modification: 01.07.19</p>		<p>current index: material thickness: quantity: sheet: 3 sheets 2</p>	



detail A



Articulenumber: 3150176
 2x SYLODYN® TYP ND, GRÜN
 Dimensions:
 1321 x 40 x 25 mm

 1x SYLODYN® TYP NB, ROT
 Dimensions:
 1241 x 40 x 25 mm

 2x SYLODYN® TYP NB, ROT
 Dimensions:
 684 x 40 x 25 mm

ATTENTION Unwinding data is for information purposes only! Information on outer dimensions and bending allowances do not disburse the checker from inspection!				General tolerances: according to ISO 2768 (medium)	scale: 1:5 (particularity): material: (part number):
designer	date	name	title:		
06.05.19		M. Bruns	neo Tower 25.0/30.0		
checked	date	J. Brake			
This drawing must not be copied, forwarded, reproduced or otherwise used in any other way.			(drawing number):	quantity:	sheet:
			RMB_M+E01_Zusammenbau_BemaSung	3	3
ind.	modification	date	name	origin: 19.02.19	modification: 01.07.19
				current index:	material thickness: